

**SPECIFICATIONS**

**Ellipsoidal lighting fixture**

**PHYSICAL** Die cast aluminum construction  
 20 gauge stainless steel shutters in a bi-plane assembly  
 High impact, thermally insulated knobs and shutter handles  
 Two accessory slots, and a top mounted, gel frame retainer  
 Steel yoke with two mounting positions  
 Positive locking, hand-operated yoke clutch  
 Slot for stainless steel patterns  
 Slot with sliding cover for motorized pattern devices or optional iris  
 UL and cUL listed

**ELECTRICAL** 115-240V, 50/60Hz  
 High temperature 3-conductor 36" leads in a glass fiber outer sleeve  
 Supports ETC Dimmer Doubling™ technology

**LAMP** HPL — compact tungsten filament contained in a krypton-filled quartz envelope (see table for suitable lamp types)  
 575W Maximum  
 Integral die cast aluminum heat sink lamp base

**OPTICAL** Precision molded borosilicate ellipsoidal reflector with aspheric lens and multi-layer dichroic coating  
 Interchangeable lens mount assemblies allow user-installation of different lens types  
 Reflector secured with anti-vibration shock mounts  
 Lens(es) secured with anti-vibration shock mounts  
 95% of visible light reflected through the optical train  
 90% of infrared radiation (heat) passes through the reflector  
 Tool free lamp centering (X/Y) and peak/flat (Z) adjustment knobs  
 Positive locking X, Y and Z adjustments, unaffected by relamping  
 Interchangeable lens assembly kits permit selection of 26°, 36°, and 50° field angles

**ORDERING INFORMATION**

**Source Four jr**

Model#	Description
450J	50° Source Four jr (black)
450J-1	50° Source Four jr (white)

ETC Source Four jr are supplied with C-clamp, color frame and 3' (96cm) leads as standard

**Connector Designation**

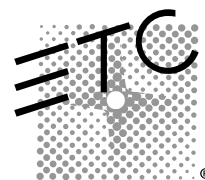
Use Suffixes below to specify Factory-Fitted Connector type

Model#	Description
A	Parallel-blade U-ground connector
B	Two-pin and ground, 20 amp connector
C	Grounded, 20 amp, twistlock connector
M	Dimmer Doubling™ Connector (NEMA L515P)

**Source Four jr Accessories**

Model#	Description
450JL	Source Four jr 50° lens assembly
400SC	Safety cable
400CC	C-clamp (included)
400JRS	Drop-in iris
400CF	Colorframe (6.25") (included)
400DN	Donut (6.25")
400TH	Top hat
400HH	Half hat
400GE	Gel Extender
400PH-M	Pattern holder (M size)

**Note:** For colors other than black and white, please call ETC.

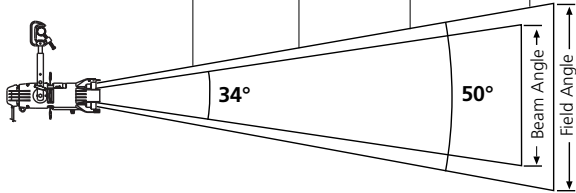


### PHOTOMETRIC

All photometric data in this document was prepared using standard production fixtures, and the Prometric™ CCD measurement system. Fixtures were adjusted for cosine distribution, and were tested with a calibrated HPL 575/115V 16,520 lumen lamp at its rated voltage. All data were normalized to nominal lamp lumens.

#### 50°

Distance (ft)	5	10	15	20
Field Diameter (ft)	4.7	9.3	14.0	18.6
Illumination (fc)	880	220	98	55



For illumination with any lamp, multiply the candlepower of a beam spread by the multiplying factor (mf) shown for that lamp.

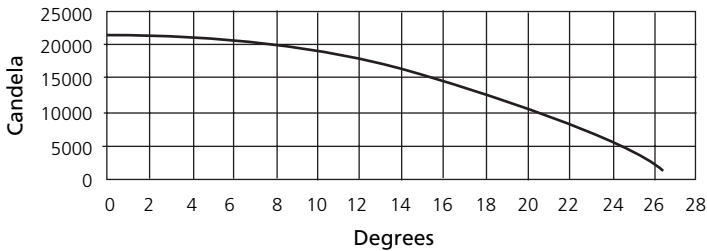
To determine illumination in footcandles or lux at any throw distance, divide candlepower by distance squared.

For Field diameter at any distance, multiply distance by .93

For Beam diameter at any distance, multiply distance by .61

**Metric Conversions:** For Meters multiply feet by .3048  
For Lux multiply footcandles by 10.76

**Candlepower Distribution Curve Cosine**



**Source Four jr 50° (cosine)**

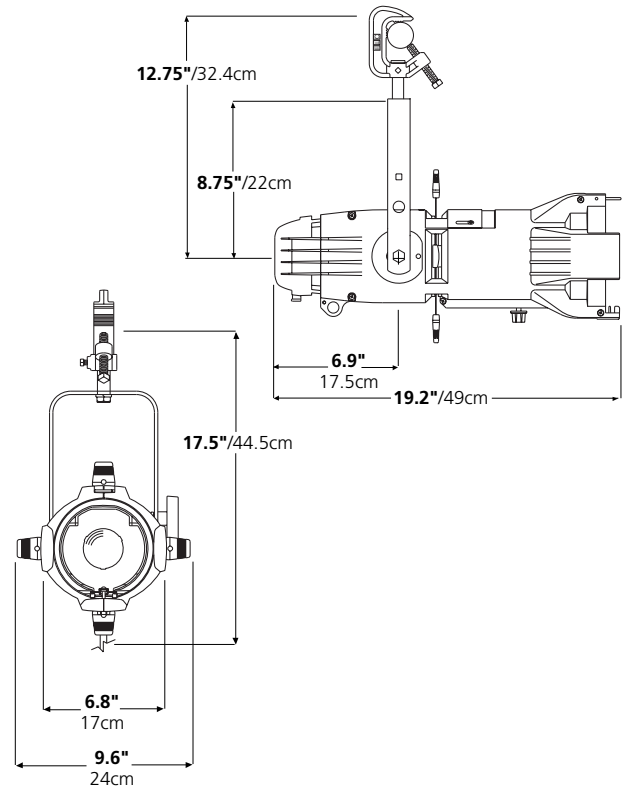
Degree	Candlepower	Field Lumens	Efficacy	Efficiency
50°	22,000	7,530	13.1 LPW	45.6%

### PHYSICAL

Lamp code	Watts	Volts	Initial Lumens	Color Temp.	Average Rated Life	MF
HPL 575/115	575	115	16,520	3,250°	300	1.00
HPL 575/115X	575	115	12,360	3,050°	2000	0.76
HPL 575/120	575	120	16,460	3,250°	300	1.00
HPL 375/115	375	115	10,540	3,250°	300	0.63
HPL 375/115X	375	115	8,060	3,050°	1000	0.49
HPL 550/77*	550	77	16,170	3,250°	300	1.00
HPL 550/77X*	550	77	12,160	3,050°	2000	0.76
HPL 575/230	575	230	14,900	3,200°	300	0.87
HPL 575/240	575	240	14,900	3,200°	300	0.87
HPL 575/230X	575	230	11,780	3,050°	1500	0.70
HPL 575/240X	575	240	11,780	3,050°	1500	0.74
HPL 375/230X	375	230	7,800	3,050°	1000	0.47
HPL 375/240X	375	240	7,800	3,050°	1000	0.47

\*77V lamps are intended for use with the ETC Dimmer Doubler™.

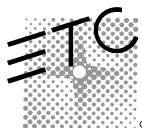
**Warning:** Use of lamps other than HPL will void UL/cUL safety approval and product warranty. Source Four jr is rated for 575W maximum.



### Source Four jr Weights

Model	Fixture Weight*		Shipping Weight	
	lbs	kgs	lbs	kgs
50°	10	4.5	16.5	7.5

\* Add 2.3 lbs for C-clamp



### Electronic Theatre Controls

**International** • 3030 Laura Lane, P.O. Box 620979, Middleton, WI 53562-0979 • Tel: (+1) 608 831 4116 • Fax: (+1) 608 836 1736 • Toll free: 800 688 4116 • Toll free fax: 800 555 8912

**Europe** • 5 Victoria Industrial Estate, Victoria Road, London W3 6UU • Tel: +44 (0)20 8896 1000 • Fax: +44 (0)20 8896 2000

**Asia** • Room 605-606, Tower III Enterprise Square • 9 Sheung Yuet Road, Kowloon Bay • Kowloon, Hong Kong • Tel: (+852) 2799 1220 • Fax: (+852) 2799 9325

**Web:** www.etcconnect.com • **Email:** mail@etcconnect.com Copyright © 2001 Electronic Theatre Controls, Inc., All Rights Reserved. All product information and specifications subject to change.

Source Four® products protected by U.S. Patent Numbers: 5,268,613, 5,345,371, 5,544,029 and 5,446,637, Japanese Patent Number: 2,501,772. US and International Patents Pending.