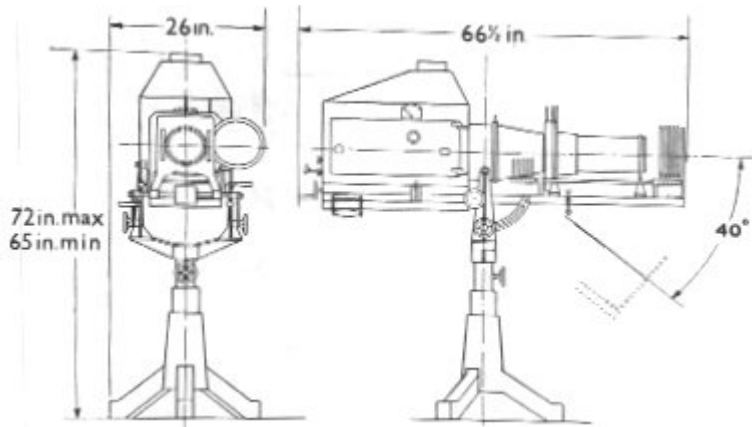


Patt.501



The Patt. 501 Sunspot Mirror Arc is designed for use with a special inductor unit which needs only a 20 amp 200/250 volt A.C. supply. Alternatively the Sunspot can be arranged for a suitable D.C. supply.

As the mirror and iris diaphragm are coupled the beam of 15.5° max. can be zoomed between spot and flood. The vertical and horizontal masking shutters can be rotated around the axis of the beam. A finger-tip operated magazine for 5 colours and a special stand form part of this lantern assembly. Prices do not include carbons.

Patt. 501M : Sunspot Mirror Arc spotlight with automatic arc feed and stand (specify A.C. or D.C.)

Patt. 501 : As above but manual arc feed.

Ref 289 : Inductor (specify A.C. voltage) 20" x 19" x 24" high

Ref 408 : Spare dowser plate.

Carbons

9mm x 12" H.I. Alternalex carbons for 100 amp A.C. Sunspot

10mm x 12" H.I. c/c positive carbons for 60 amp D.C. Sunspot

7mm x 12" H.I. c/c negative

carbons for 60 amp D.C. Sunspot

Ref 406 Carbon economisers for A.C. Sunspot

Ref 407 Carbon economisers for D.C. Sunspot