

Strand Lighting

Lekolite® Spotlight

1K Variable Focus

New design, adjustable lenses and sliding yoke.

- Variable focus: from 15 to 40 degrees or anywhere between
- New sliding yoke design for better balance and operating ease
- Extruded aluminum construction for lightweight strength
- Soft focus capability permits overlapping areas of light on stage

Specifications 2206

The unit shall be a 500, 750, 1000 watt ellipsoidal reflector variable focus spotlight with a TP-22 socket to accommodate an axially mounted tungsten-halogen lamp, a double flatted ellipsoidal specular Alzak processed aluminum reflector, four push shutters and a template slot, all mounted within an extruded aluminum housing. The fixture housing shall have linear die-cut slots to allow adequate venting and cooling of the interior without allowing the passage of stray internal reflections. Further reduction of temperature shall be accomplished through the use of a die-cast finned heat sink around the lamp socket.

A 4½" × 6½" (114.5mm × 165mm) and a 6" × 16" (152mm × 406mm) lens combination shall provide continuously variable soft or sharp beam definition between 15° and 40° beam spreads. Modifying the beam spreads shall not require disassembly of the unit, or handling of lenses. Both plano-convex lenses shall be ground and polished high temperature borosilicate glass. They shall be mounted on a carriage track which shall allow each lens to slide independently on Teflon® guides and shall lock into place with thermally insulated plastic knobs.

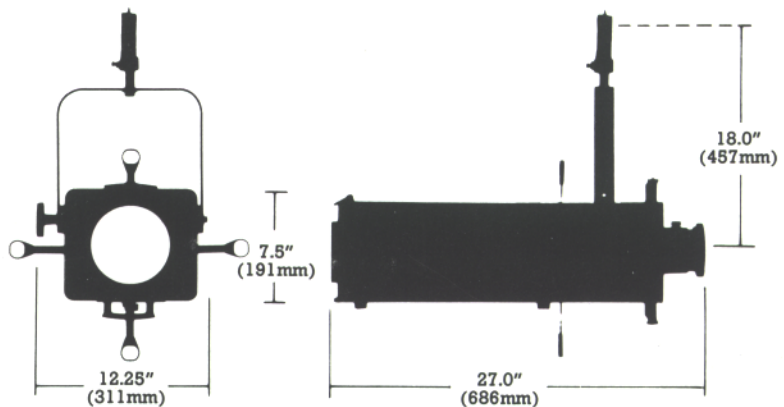


2206

Lamp focusing shall be accomplished without the use of tools and shall be continuously variable. The lamp housing assembly shall consist of a finned aluminum heat sink with a thermally insulated plastic ring attached at the rear. A lamp alignment knob shall allow socket movement to adjust the light distribution across the field. The complete lamp assembly shall slide within the rear fixture housing for linear focus adjustment of the field from peak (hot center) to flat

field. A thermally insulated plastic knob shall lock the lamp housing securely in position.

Each unit shall be supplied with a malleable iron C-clamp to grip up to 2" pipe, a rolled steel yoke with a locking, thermally insulated tee handle and 3' (0.9m) type TACT leads rated at 250°C in fiberglass sleeving. Exterior finish shall be baked black enamel. The underside of the unit shall indicate the lens positions for 15°, 20°, 30° and 40° beam spreads.



Weight: 23.7 lbs. (10.8kg)