

# Kliegl 1000-2000 Watt 10" Fresnel



## SPECIFICATIONS

Fresnel lens spotlights consisting of a sheet steel shell housing reinforced for highest unit strength and masked with efficient light baffles; supported by an iron yoke with spring tension tilt adjustment, and of sufficient length to allow 360 degree rotation; a heat resistant knob for pressure actuated tilt locking; lever actuated focusing mechanism with single heat resistant knob located on one side and to the rear of the fixture; SPOT and FLOOD position indicator on housing side; insulated positioning handle located at rear of fixture; an Alzak® aluminum spherical reflector on a movable carriage; color frame grooves; a safety chain loop; one mogul bi-post lamp socket for tungsten-halogen lamps, 1000, 1500 and 2000 watt; a 10" Pyrex® heat resisting Fresnel lens in a side hinged front door, with spring-loaded pin type latch for easy relamping; 36" silicone rubber insulated leads properly stripped and tinned within a high temperature fabric sleeve and fitted with a 20 ampere, 2 pole, 3 wire grounded male connector. Each unit shall be equipped with a "C" pipe clamp, and a safety cable.

Using a CYX 2000 watt 250 hour lamp, this unit shall produce a field angle of 18 degrees in the SPOT position and 62 degrees in the FLOOD position which equals or exceeds 290,000 candle power in the SPOT position and 37,000 candle power in the FLOOD position. Units shall be Kliegl #3610 Fresnel spotlight.

Provide \_\_\_\_\_ KLIEGL #3610(F) fixture(s) with \_\_\_\_\_ color frame(s) and \_\_\_\_\_ lamp(s) with ANSI Code # \_\_\_\_\_.

## NOTES

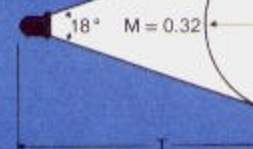
3610F (Film Version) with Switch

Fill in Project Information Here

## Kliegl Model

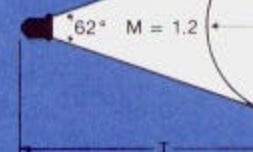
### QUICK SELECTOR

SPOT

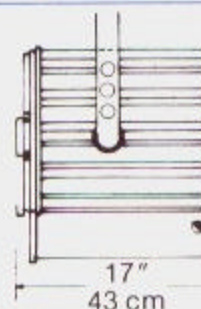


TYPICAL THROW DISTANCE  
5-20 meters; 20-60 feet  
Field Dia. (F) = Throw Dist

FLOOD



TYPICAL THROW DISTANCE  
4-10 meters; 10-30 feet  
Field Dia. (F) = Throw Dist



Weight: 30 Lbs. 1

### ACCESSORIES

13610	Color Frame
23610	8 way Barndoor
1850	"C" Clamp (furn standard equip)
1860C	18" "C" Clamp
1415	18" Spoke Base
1421	25" Roller Cast
1422	30" Roller Cast
1439	9" Table Base
1440	18" Table Base

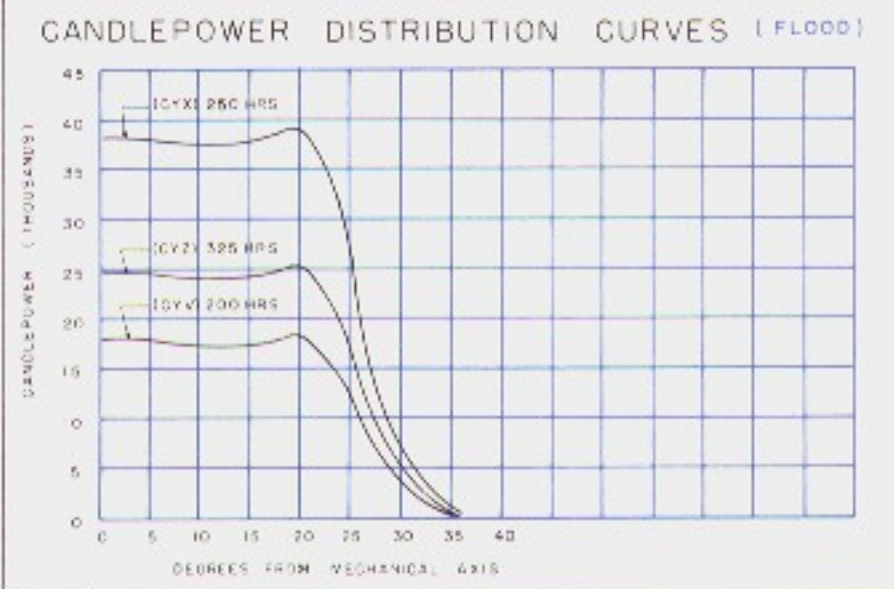
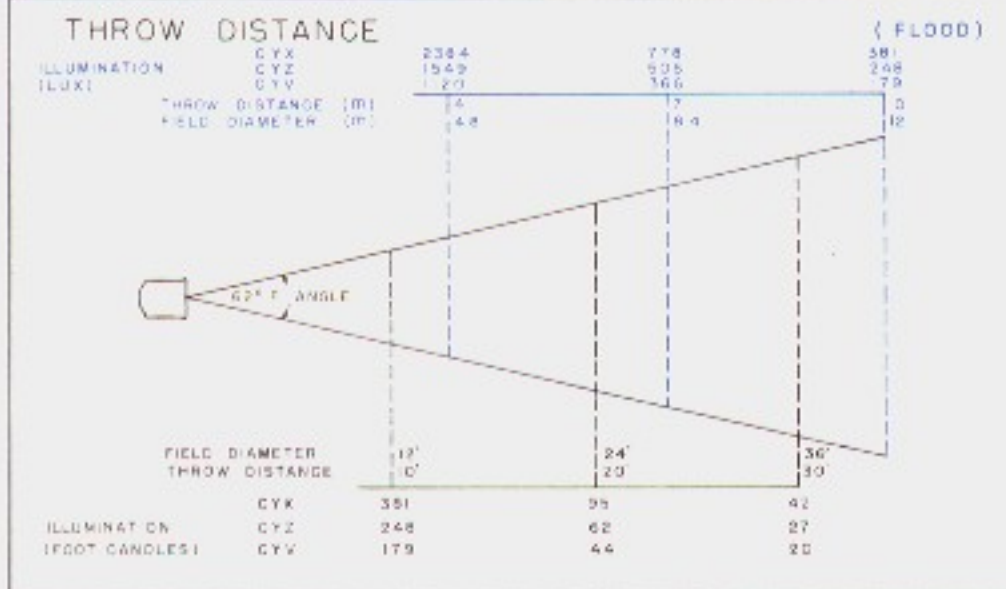
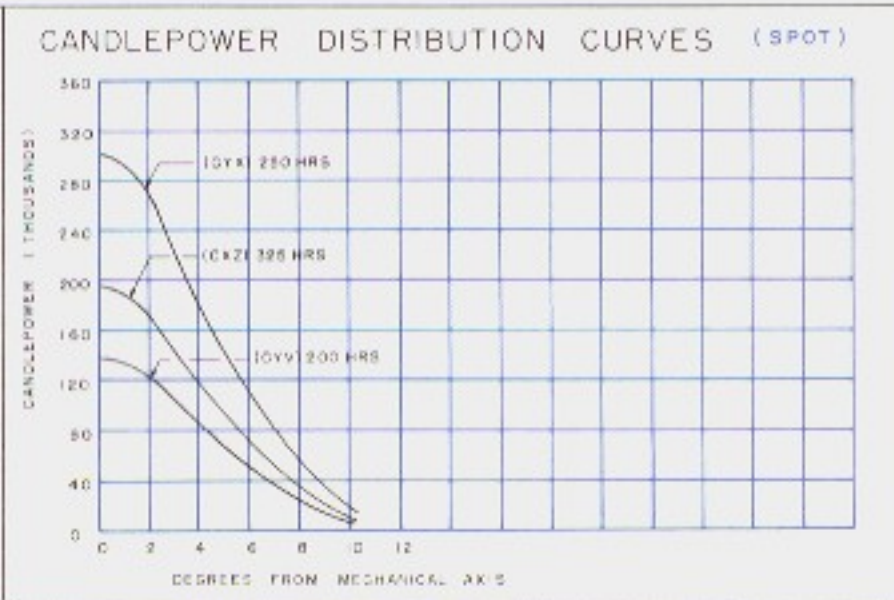
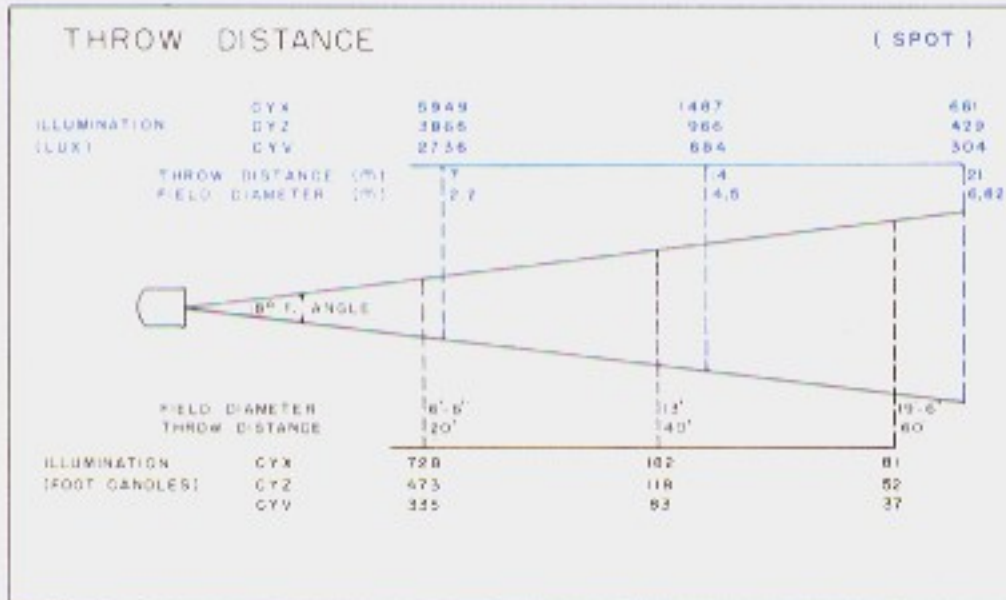
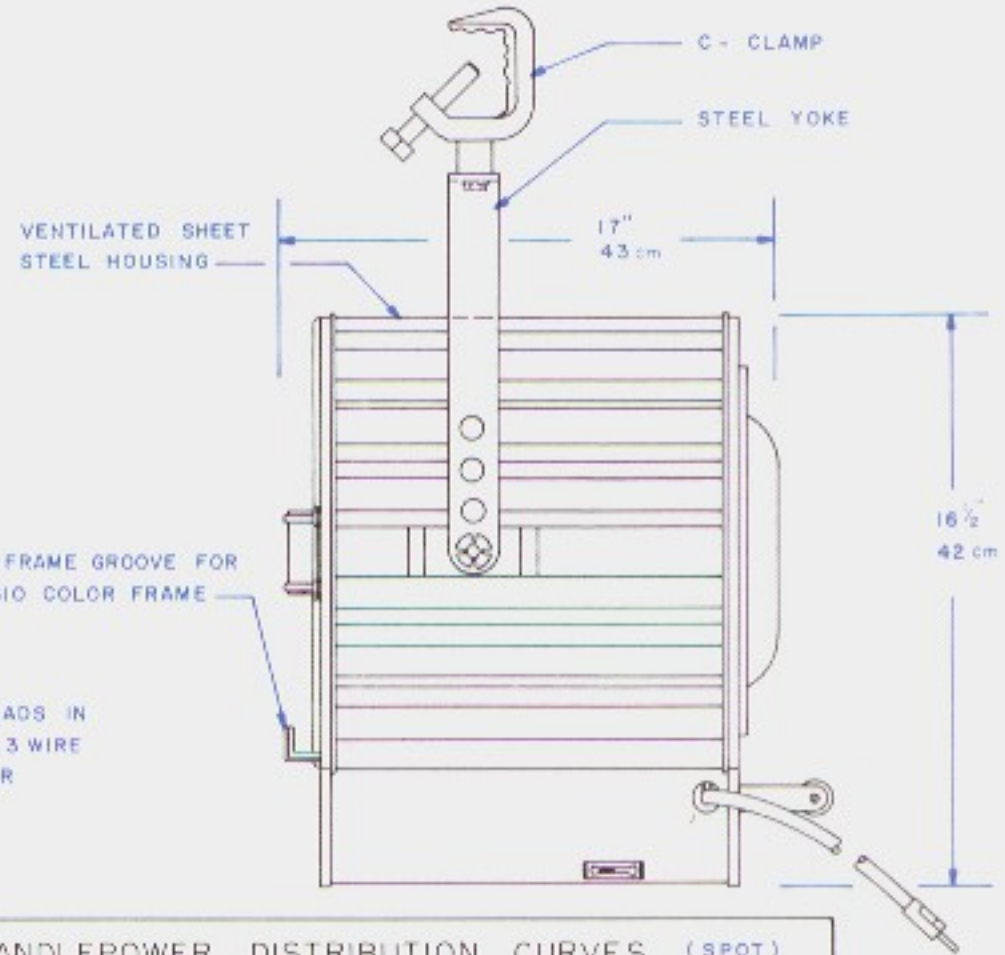
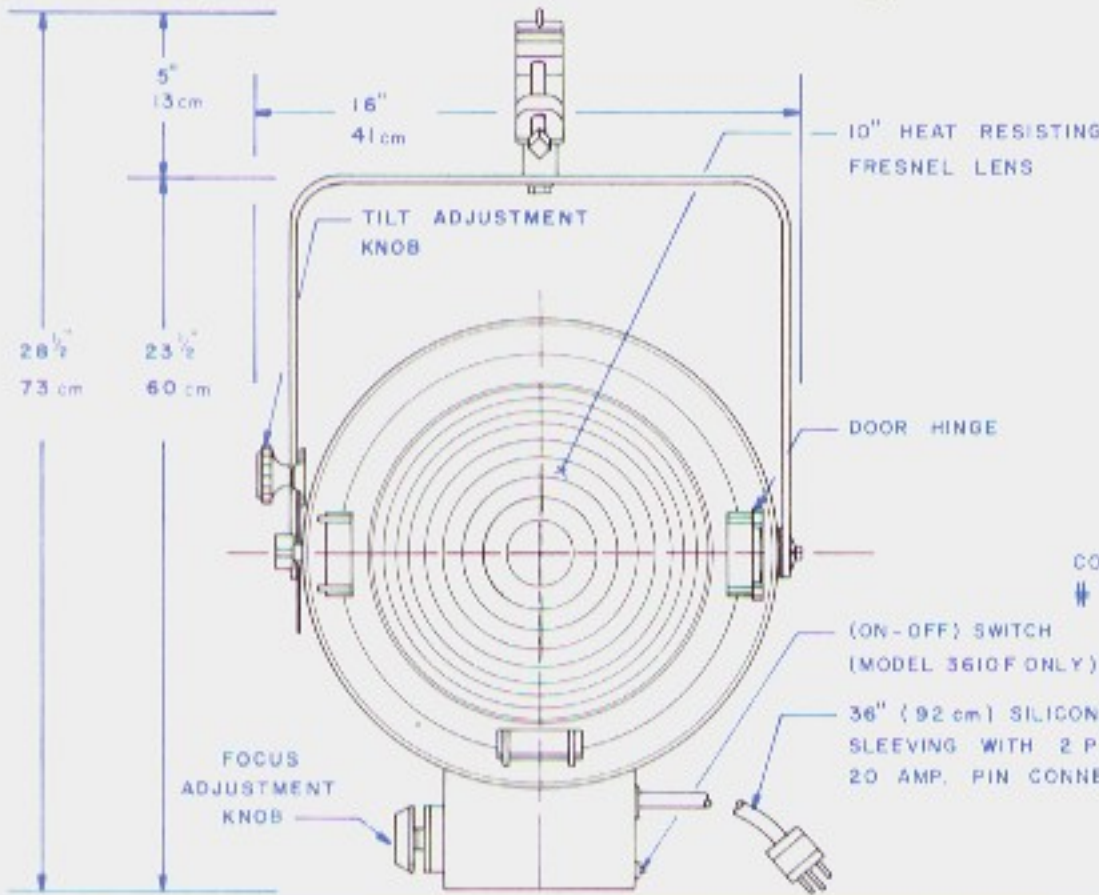
### CONNECTORS

All configurations are L	
955G	2 Pole 3 Wire 20 Connector

**Kliegl Model 3610 1000-2000 Watt**  
**3610F 10" Fresnel**

**U.L. Listed and Labeled Union Made in the U.S.A.**

**Independent Lab. Data**



**LAMP INFORMATION**

LAMP ANSI CODE	WATTS	VOLTS	BULB	LIFE [ HOURS ]	° K	LUMENS
CYV	1000	120	T-7	200	3200	27500
CXZ	1500	120	T-8	325	3200	38500
CYX	2000	120	T-9 1/2	250	3200	59000



32-32 48th AVENUE, LONG ISLAND CITY, NEW YORK 11101  
 TEL: (212) 786-7474  
 TLX: 960158