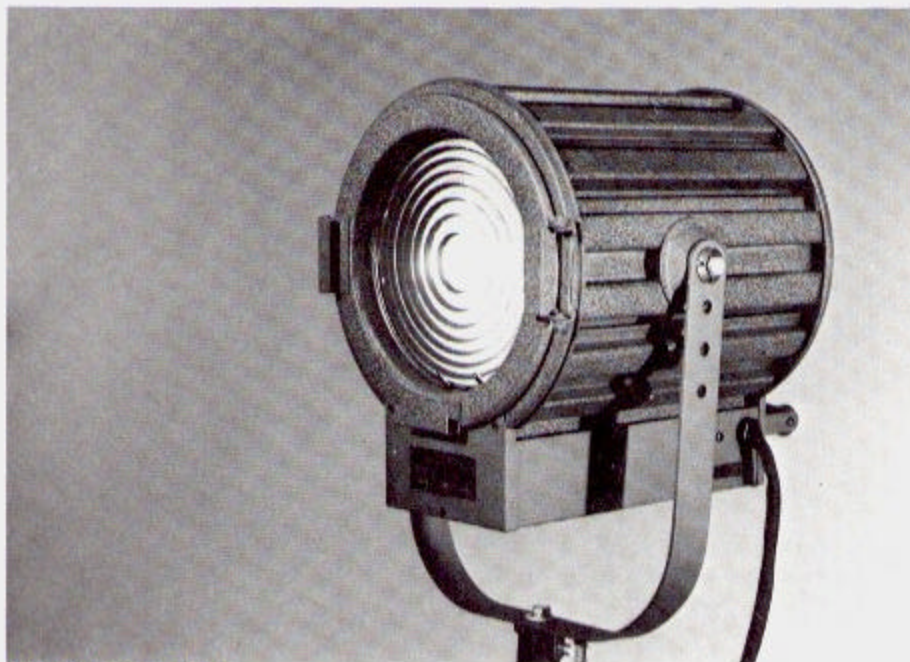


# Kliegl 1000-2000 Watt 8" Fresnel



## SPECIFICATIONS

Fresnel lens spotlights consisting of a sheet steel shell housing reinforced for highest unit strength and masked with efficient light baffles; supported by an iron yoke with spring tension tilt adjustment, and of sufficient length to allow 360 degree rotation; a heat resistant knob for pressure actuated tilt locking; lever actuated focusing mechanism with single heat resistant knob located on one side and to the rear of the fixture; SPOT and FLOOD position indicator on housing side; insulated positioning handle located at rear of fixture; an Alzak® aluminum spherical reflector on a movable carriage; color frame grooves; two single pole recessed contacts for tungsten-halogen lamps, 1000 watt and 2000 watt; an 8" Pyrex® heat resisting Fresnel Lens in a side hinged front door, with spring-loaded pin type latch for easy relamping; 36" silicone insulated leads properly stripped and tinned within a high temperature fabric sleeve and fitted with a 20 ampere, 20 pole 3 wire grounded male connector. Each unit shall be equipped with a "C" pipe clamp, and a safety cable.

Using a FER 1000 watt 500 hour lamp, this unit shall produce a field angle of 14 degrees in the spot position and 54 degrees in the FLOOD position which equals or exceeds 147,000 candle power in the SPOT position and 18,000 candle power in the FLOOD position. Units shall be Kliegl #3609 Fresnel spotlight.

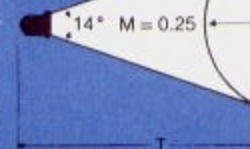
Provide \_\_\_\_\_ KLIEGL #3609 fixture(s) with \_\_\_\_\_ color frame and \_\_\_\_\_ lamp(s) with ANSI code #2 \_\_\_\_\_.

Fill in Project Information Here

## Kliegl Model

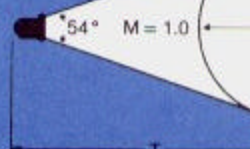
### QUICK SELECTOR

SPOT

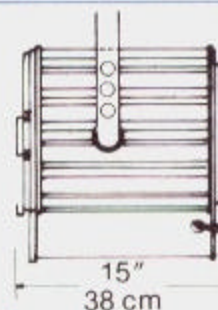


TYPICAL THROW DISTANCE  
5-20 meters; 20-60 feet  
Field Dia. (F) = Throw Dist

FLOOD



TYPICAL THROW DISTANCE  
3-10 meters; 10-30 feet  
Field Dia. (F) = Throw Dist



Weight: 20 Lbs. 9

### ACCESSORIES

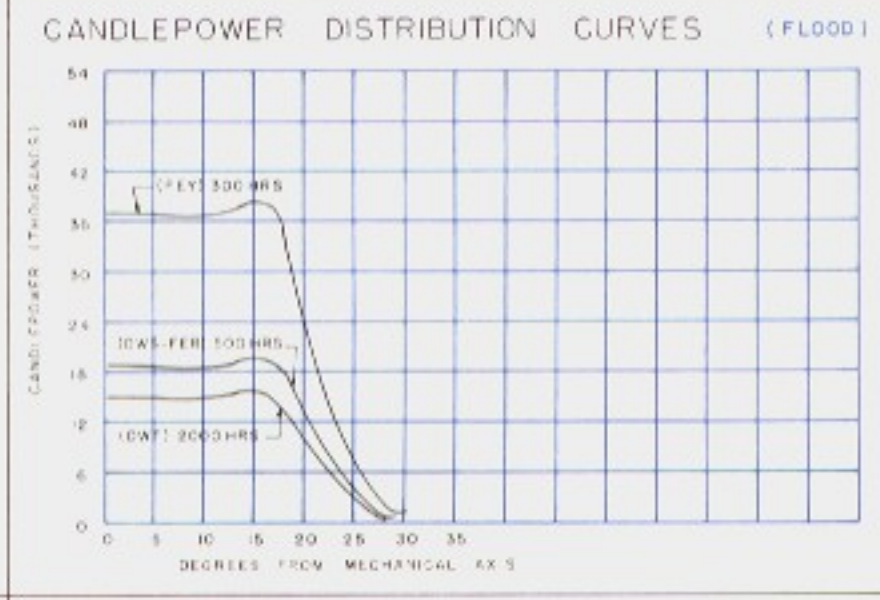
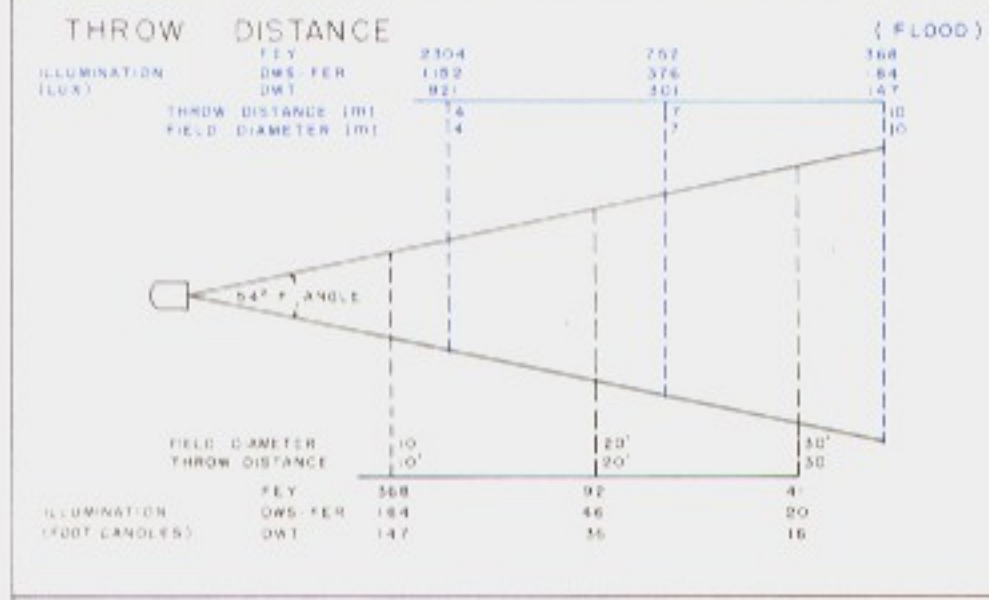
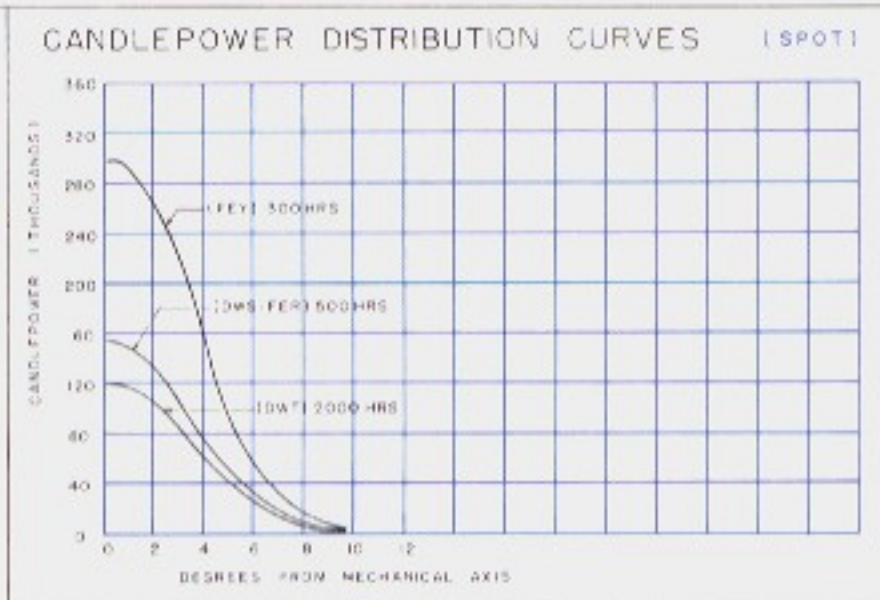
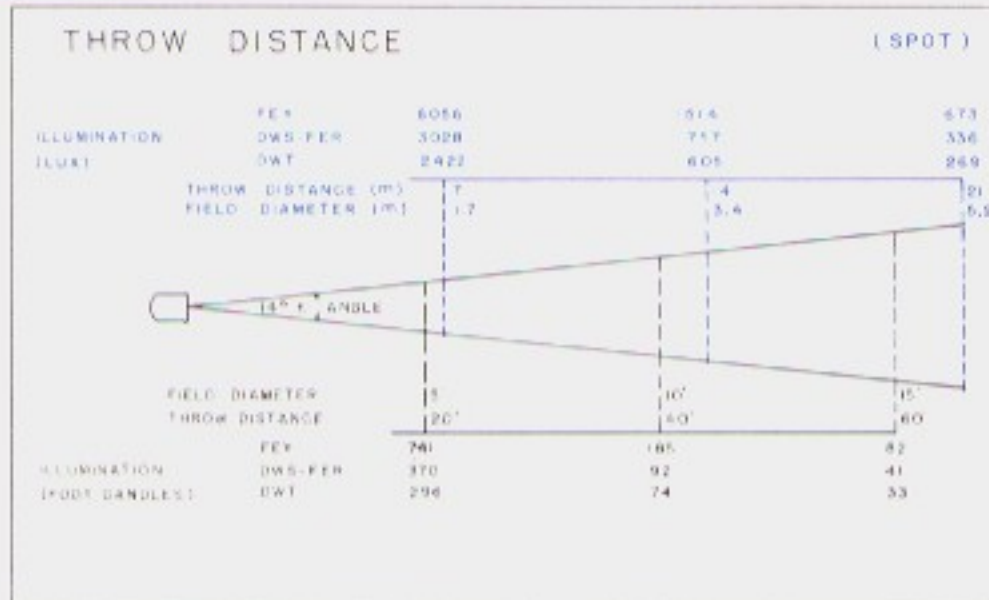
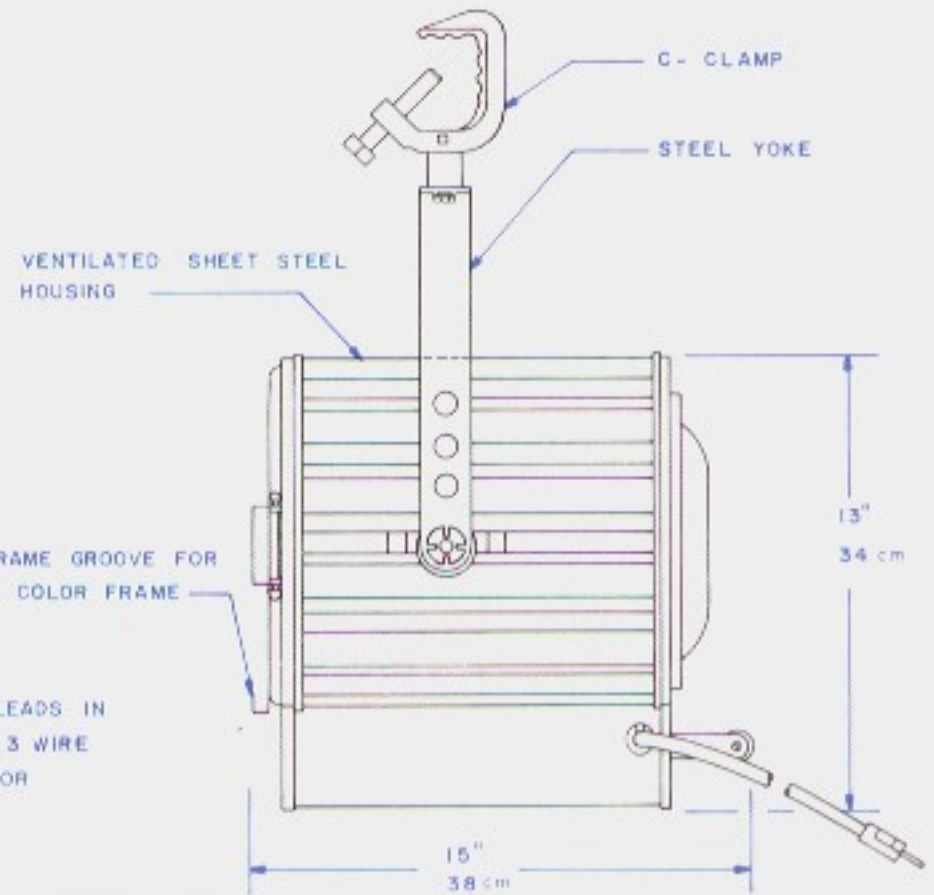
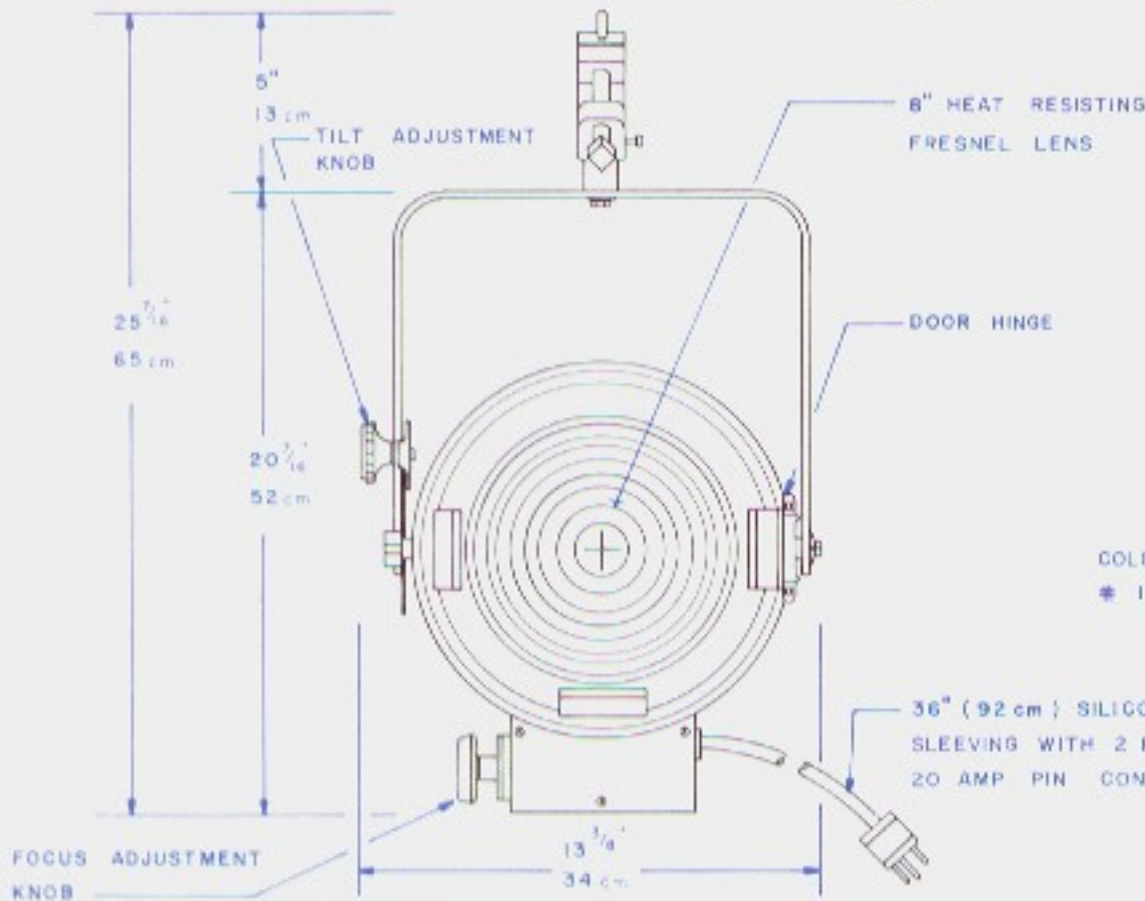
- 13609 Color Frame
- 23609 8 way Barndoor
- 1850 "C" Clamp (Furr standard equip)
- 1860C 18" "C" Clamp
- 1415 18" Spoke Base
- 1421 25" Roller Caste
- 53609 Top Hat
- 1439 9" Table Base
- 1867 Scenery Clamp

### CONNECTOR

All configurations are U  
955G 2 Pole 3 Wire 20

Independent Lab. Data

U.L. Listed and Labeled Union Made in the U.S.A.



**LAMP INFORMATION**

| LAMP ANSI CODE | WATTS | VOLTS | BULB | LIFE (HOURS) | °K   | LUMENS |
|----------------|-------|-------|------|--------------|------|--------|
| DWT            | 1000  | 120   | T-6  | 2000         | 3000 | 22000  |
| FER-DWS        | 1000  | 120   | T-6  | 500          | 3100 | 22500  |
| FEY            | 2000  | 120   | T-8  | 300          | 3200 | 55000  |



32-32 48th AVENUE, LONG ISLAND CITY, NEW YORK 11101  
TEL: (212) 786-7474  
TLX: 960156