

Kliegl 1000-2000 Watt 8" Fresnel



SPECIFICATIONS

Fresnel lens spotlights consisting of a sheet steel shell housing reinforced for highest unit strength and masked with efficient light baffles; supported by an iron yoke with spring tension tilt adjustment, and of sufficient length to allow 360 degree rotation; a heat resistant knob for pressure actuated tilt locking; lever actuated focusing mechanism with single heat resistant knob located on one side and to the rear of the fixture; SPOT and FLOOD position indicator on housing side; insulated positioning handle located at rear of fixture; an Alzak[®] aluminum spherical reflector on a movable carriage; color frame grooves; one mogul bi-post lamp socket for tungsten-halogen lamps, 1000 watt, 1500 and 2000 watt; an 8" Pyrex[®] heat resisting Fresnel lens in a side hinged front door, with spring-loaded pin type latch for easy relamping; 36" silicone insulated leads properly stripped and tinned within a high temperature fabric sleeve and fitted with a 20 ampere, 2 pole 3 wire grounded male connector. Each unit shall be equipped with a "C" pipe clamp, and a safety cable.

Using a CYV 1000 watt 200 hour lamp, this unit shall produce a field angle of 14 degrees in the spot position and 54 degrees in the FLOOD position which equals or exceeds 180,000 candle power in the SPOT position and 24,000 candle power in the FLOOD position. Units shall be Kliegl #3608 Fresnel spotlight.

Provide _____ KLIEGL #3608 fixture(s) with _____ color frame and _____ lamp(s) with ANSI code # _____.

NOTES

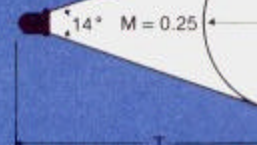
3608F (Film Version) with Switch

Fill in Project Information Here

Kliegl Model

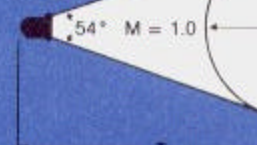
QUICK SELECTOR

SPOT

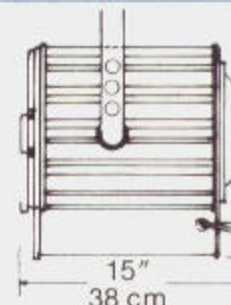


TYPICAL THROW DISTANCE
5-20 meters; 20-60 feet
Field Dia. (F) = Throw Dist

FLOOD



TYPICAL THROW DISTANCE
3-10 meters; 10-30 feet
Field Dia. (F) = Throw Dist



Weight: 20 Lbs. 9

ACCESSORIES

- 13608 Color Frame
- 23608 8 way Barndoor
- 1850 "C" Clamp (furni standard equipm
- 1860C 18" "C" Clamp S
- 1415 18" Spoke Base I
- 1421 25" Roller Caster
- 53608 Top Hat
- 1439 9" Table Base
- 1867 Scenery Clamp

CONNECTOR

All configurations are U.I.
955G 2 Pole 3 Wire 20A

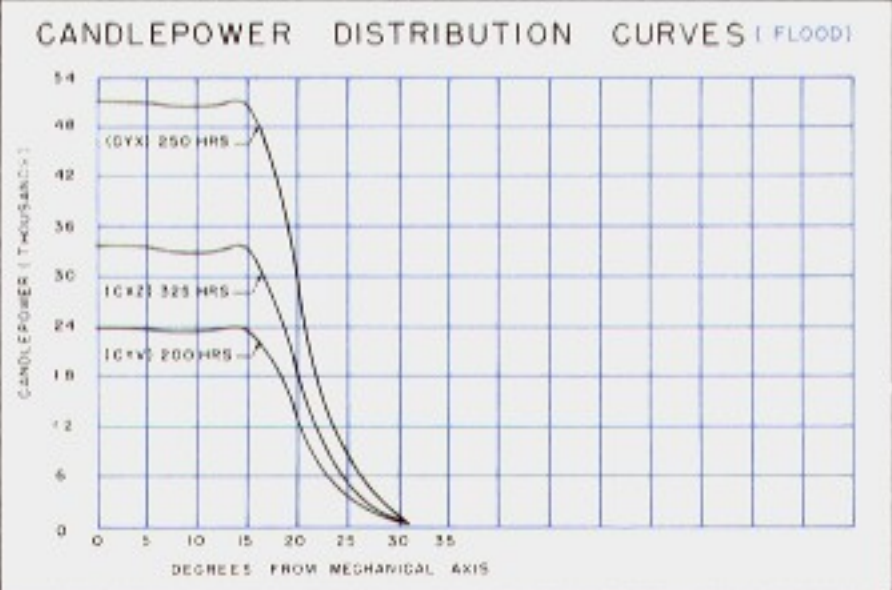
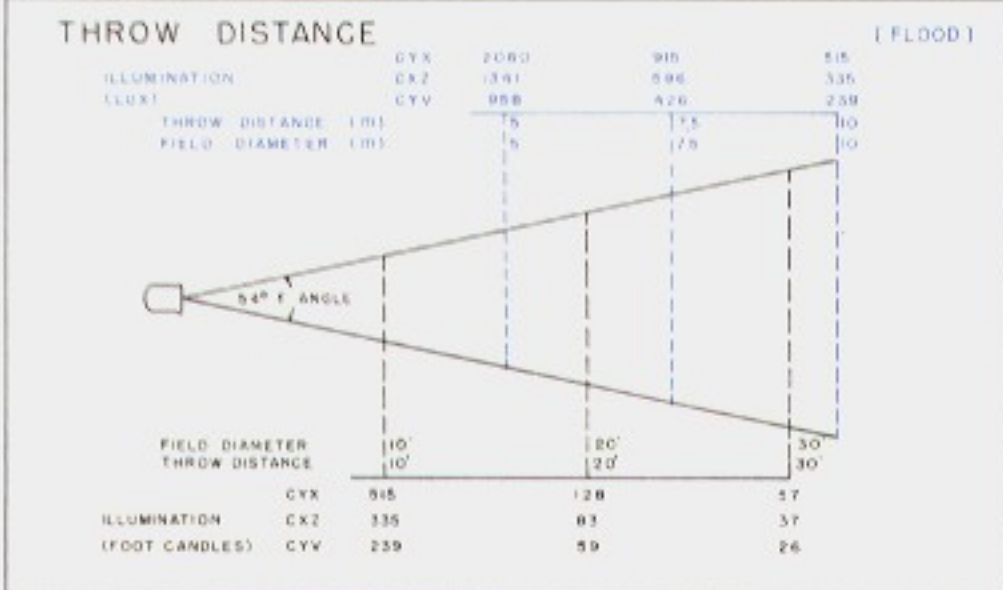
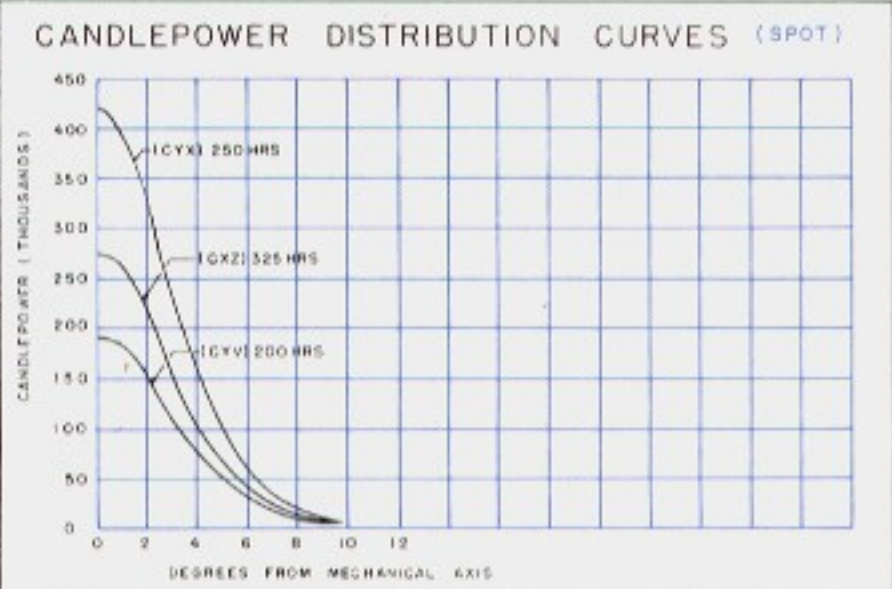
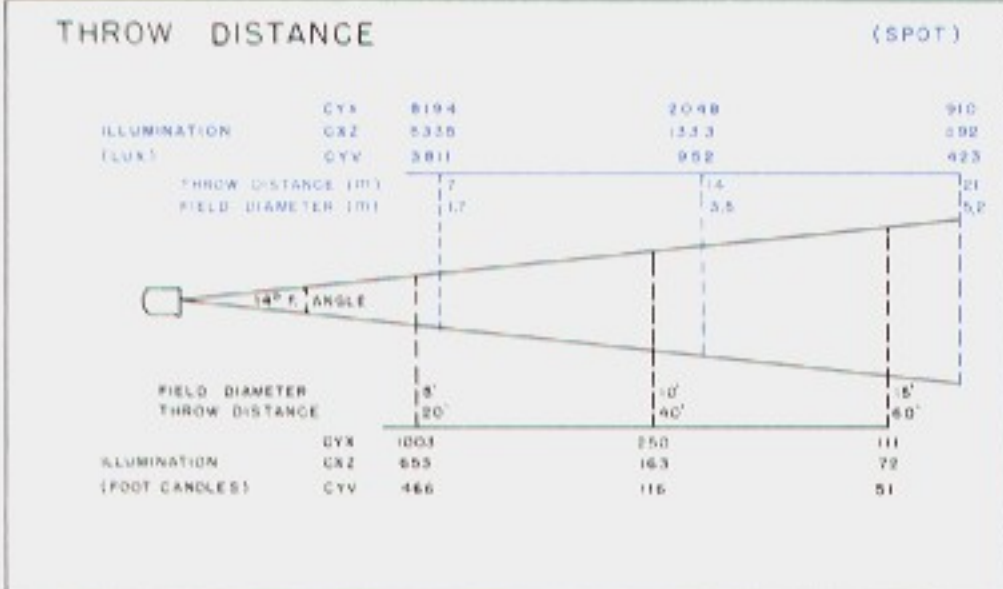
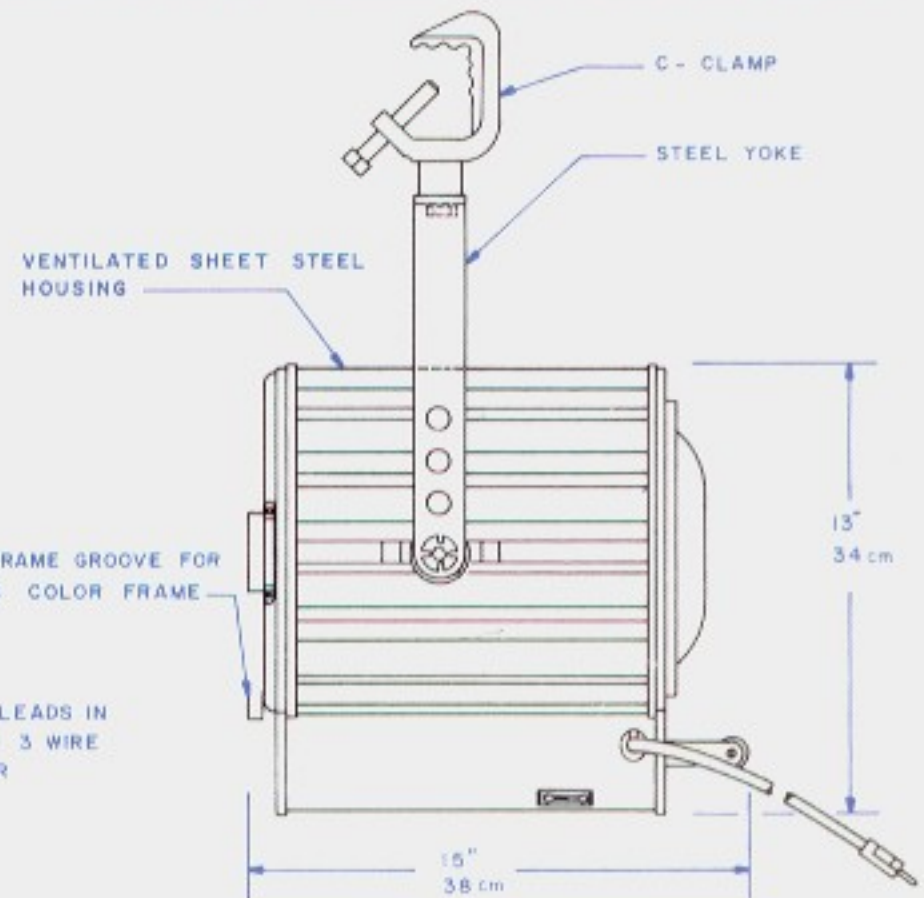
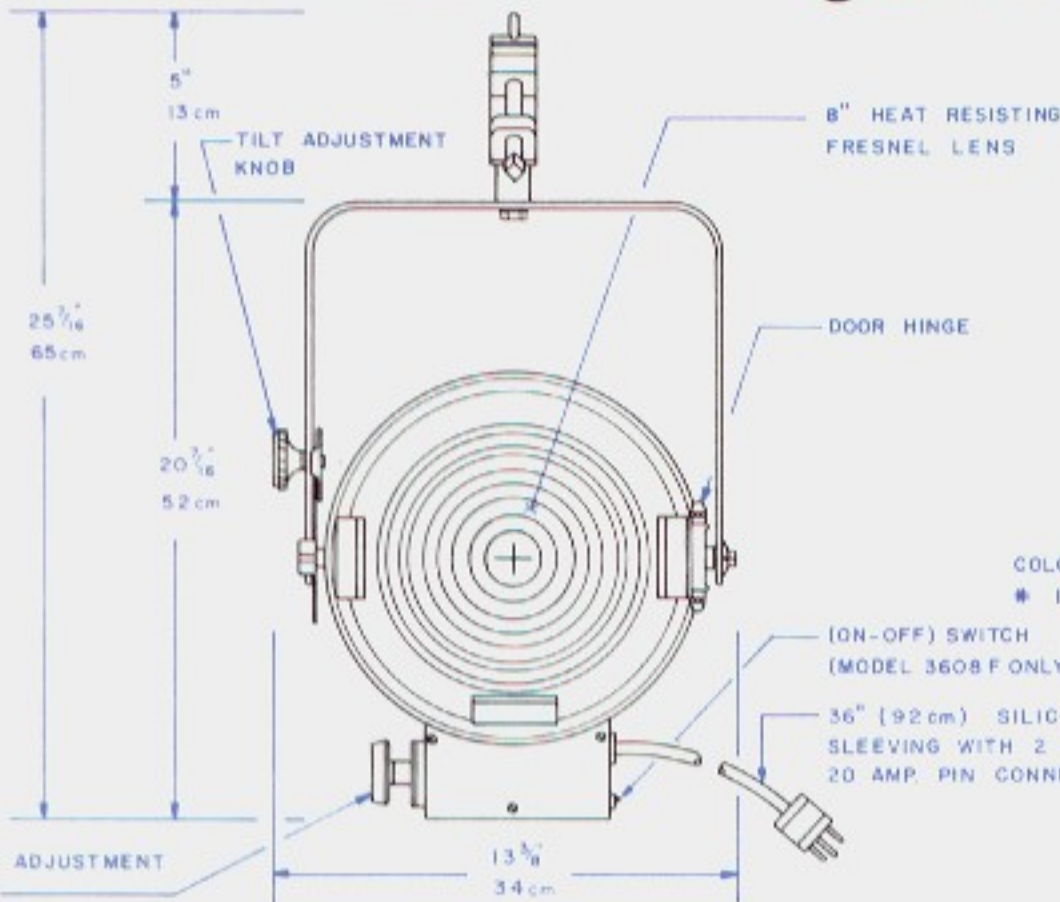
**Kliegl Model 3608
3608F**

**1000-2000 Watt
8" Fresnel**

Independent Lab. Data

U.L. Listed and Labeled

Union Made in the U.S.A.



LAMP INFORMATION

LAMP ANSI CODE	WATTS	VOLTS	BULB	LIFE (HOURS)	*K	LUMENS
CYV	1000	120	T-7	200	3200	27500
CXZ	1500	120	T-8	325	3200	38500
CYX	2000	120	T-9 1/2	250	3200	59000

Kliegl

32-32 48th AVENUE, LONG ISLAND CITY, NEW YORK 11101
TEL: (212) 786-7474
TLX: 960158