

# Kliegl 100-150 Watt 3" Fresnel



## SPECIFICATIONS

Fresnel lens spotlights consisting of a cast aluminum housing reinforced for highest unit strength and masked with efficient light baffles; supported by a steel yoke mounted on cast aluminum support buses; a black heat resistant tilt adjustment knob; a lockable carriage slide focusing control knob which moves from full SPOT to full FLOOD position; an Alzak® aluminum spherical reflector on a movable carriage; integral cast color frame grooves; a safety chain; a double contact bayonet base socket for a tungsten-halogen 100-150 watt lamp; a 3" heat resisting Fresnel lens with optically fluted back in a side hinged cast top for easy relamping; and 60" leads properly stripped and tinned with a 20 ampere 2 pole 3 wire male connector. Each unit shall be equipped with a 4" table base.

Using a 150 W lamp, this unit shall produce a field angle of 22 degrees in SPOT position and 64 degrees in FLOOD position and which equals or exceed 6,700 candle power in the SPOT position and 1,600 candle power in the FLOOD position. Units shall be Kliegl #3603 Fresnel spotlights.

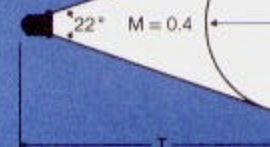
Provide \_\_\_\_\_ KLIEGL #3603 fixture(s) with \_\_\_\_\_ color frame and \_\_\_\_\_ lamp(s) with ANSI Code # \_\_\_\_\_.

Fill in Project  
Information Here

## Kliegl Model 3

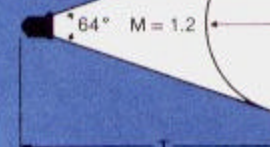
### QUICK SELECTOR C

#### SPOT

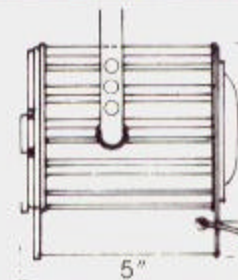


TYPICAL THROW DISTANCE  
1-3 meters; 3-10 feet  
Field Dia. (F) = Throw Dist.

#### FLOOD



TYPICAL THROW DISTANCE  
1-3 meters; 3-10 feet  
Field Dia. (F) = Throw Dist.



Weight: 3 Lbs. 1.4

## ACCESSORIES

13603	Color Frame
23603	8 way Barn Door
1850	"C" Clamp
1860C	18" "C" Clamp Si
1415	18" Spoke Base F
1420	19" Roller Caster F
53603	Top Hat
1437	4" Table Base
1867	Scenery Clamp
14360A	Portable Stand Ac

## CONNECTORS

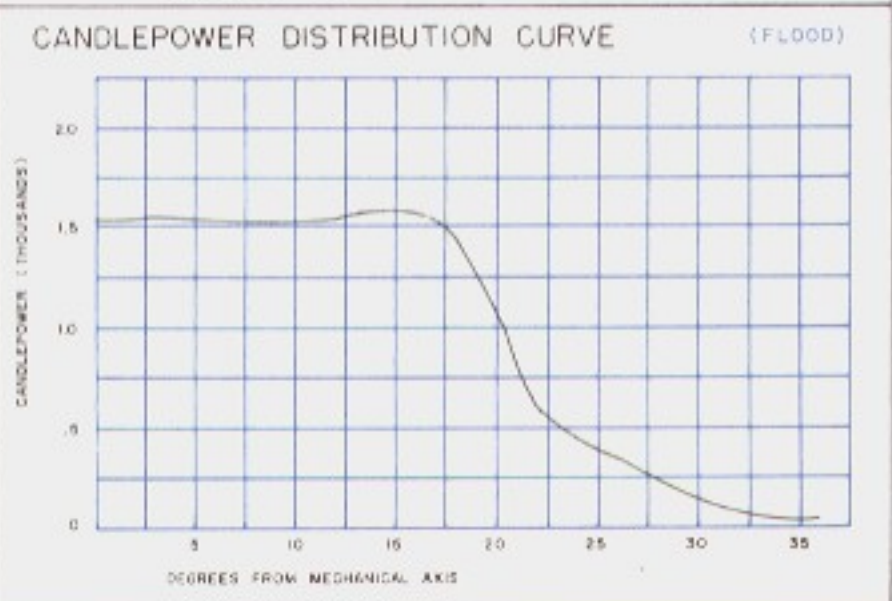
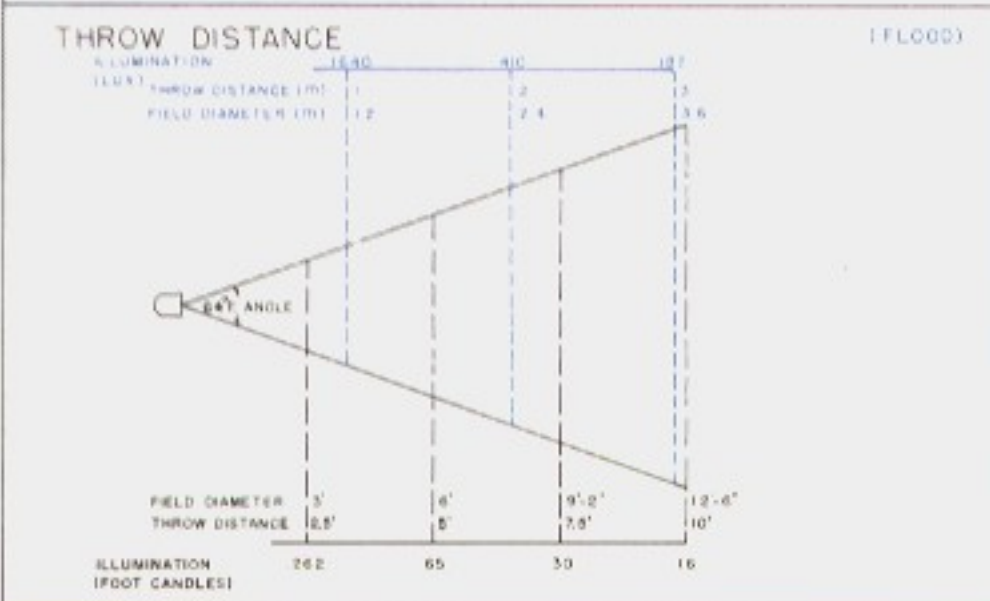
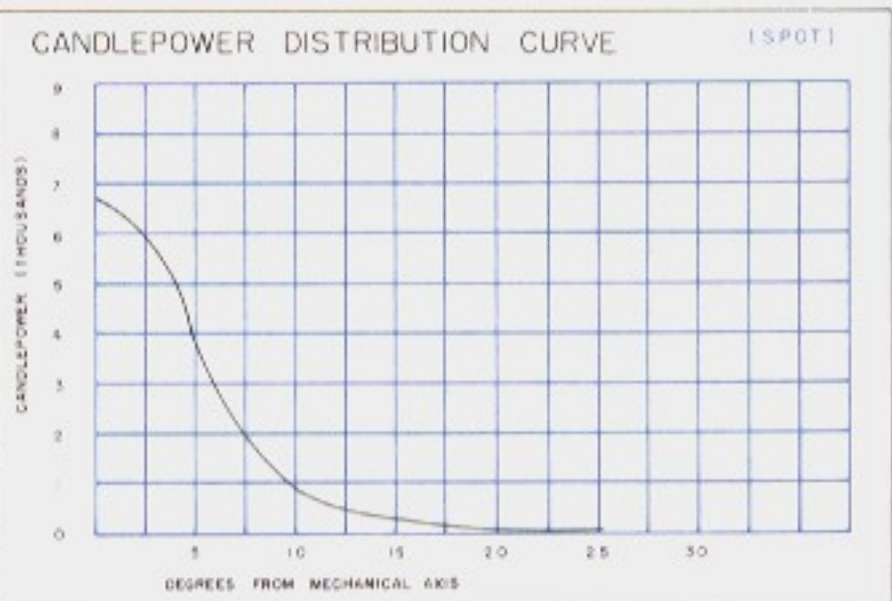
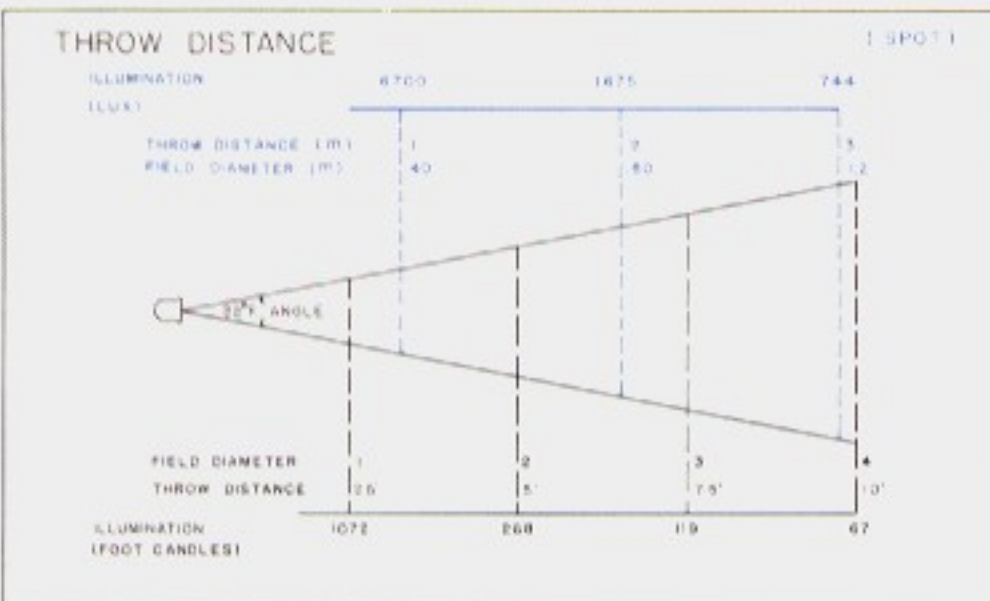
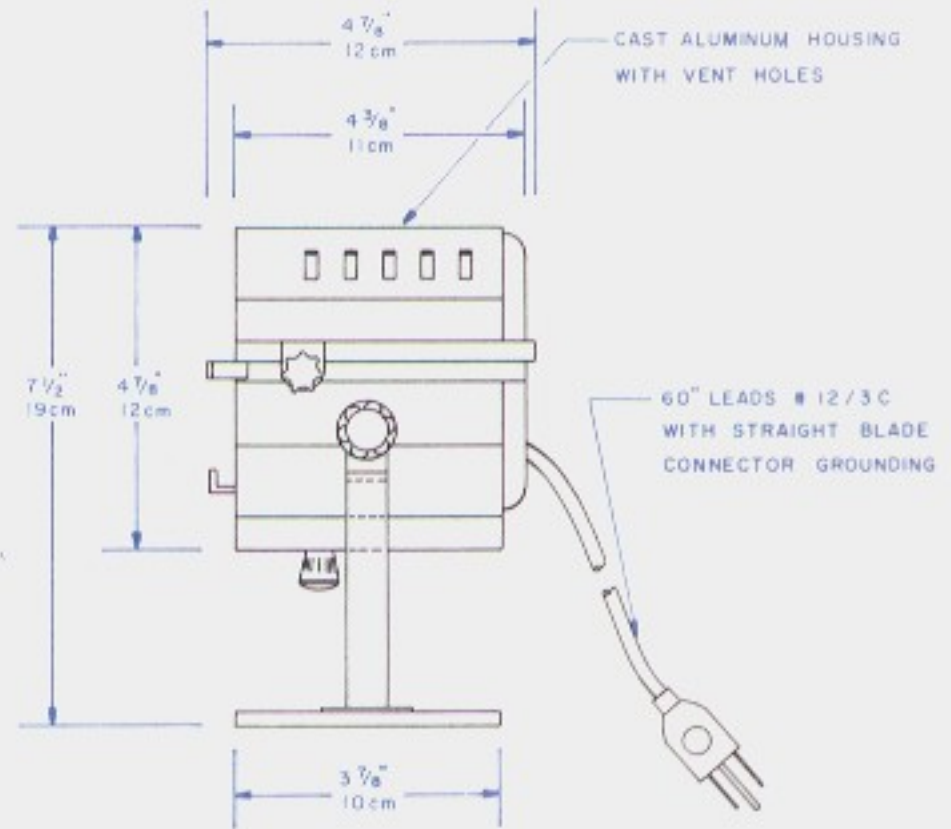
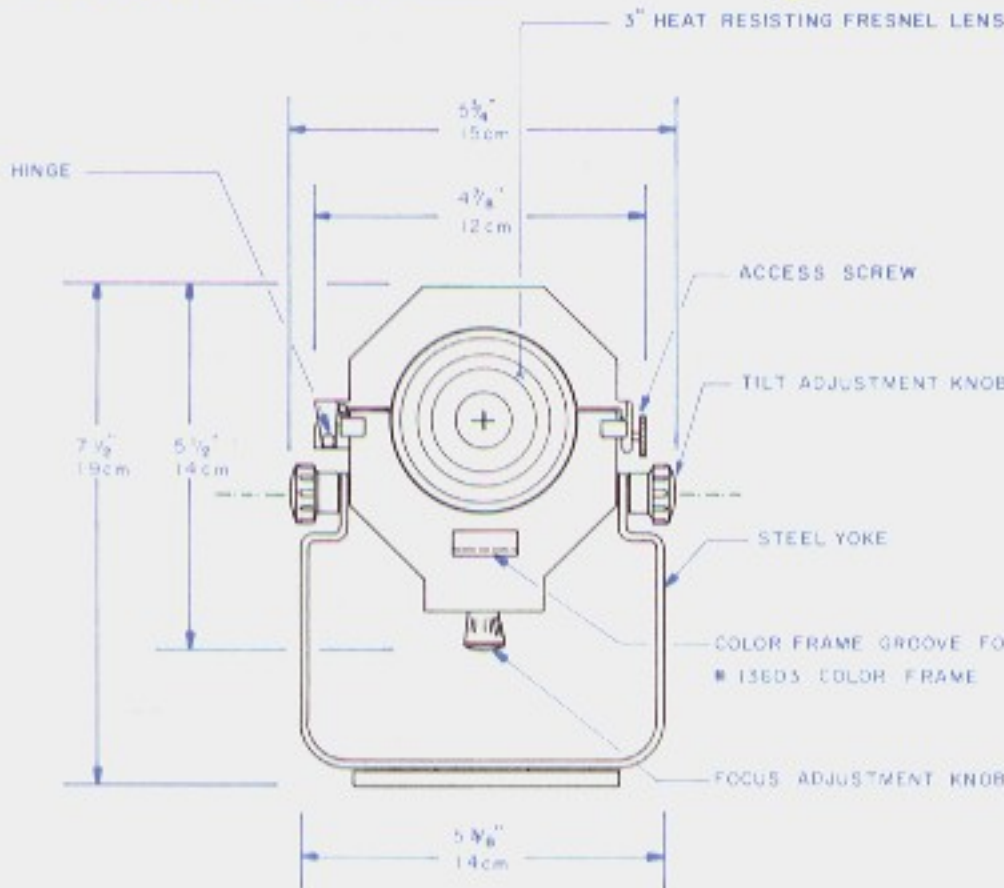
All configurations are U.L.  
955G 2 Pole 3 Wire 20A  
Connector

Independent Lab. Data



U.L. Listed and Labeled

Union Made in the U.S.A.



**LAMP INFORMATION**

LAMP	WATTS	VOLTS	BULB	LIFE (HOURS)	*K	LUMENS
150 Q/CL/DC	150	120	T-4	1000	3000	2900
100 Q/CL/DC	100	120	T-4	1000	3000	1800



32-32 48th AVENUE, LONG ISLAND CITY, NEW YORK 1101  
TEL: (212) 786-7474  
TLX: 96015B