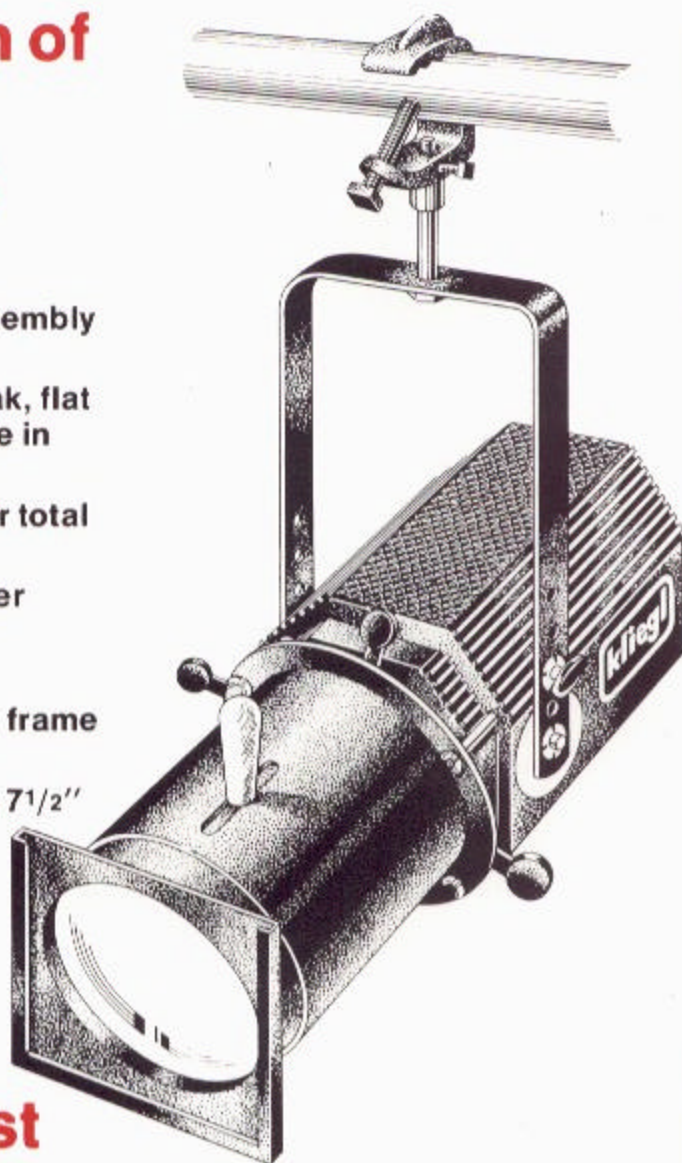


Introducing . . .

The new generation of Klieglights you insisted we design.

- Unique four-way rotating shutter assembly
- Rapid lamp alignment via two fine-adjustment locking knobs giving peak, flat and cosine adjustments, or anywhere in between
- Easily interchangeable lens tubes for total flexibility and for hard or soft focus
- Improved thermal dynamics for longer lamp life
- Best-cooled lamp in the industry
- Drop-in iris, pattern holder and color frame accessories
- Holds color impeccably using 7 $\frac{1}{2}$ " x 7 $\frac{1}{2}$ " (190mm x 190mm) color frame



Once again, the best and the brightest.

The new Klieglights employ integrated housings with flow-through convection cooling. This feature ensures that the tungsten-halogen lamps operate within their pinch seal limits for all angular positions of the instrument and for all shutter settings. For convenience, each of the instruments uses the FEL 1000W, the EHG 750W or the EHD 500W lamp. The range of axial plano-convex ellipsoidals provides fields of 12°, 20°, 30°, 40° and 55° for total lighting flexibility. "A" Dimension: 12° unit 24 $\frac{3}{4}$ " , 20° unit 21 $\frac{1}{2}$ " , 30° unit 19 $\frac{3}{4}$ " , 40° unit 18 $\frac{1}{2}$ " , 55° unit 16 $\frac{1}{2}$ " .

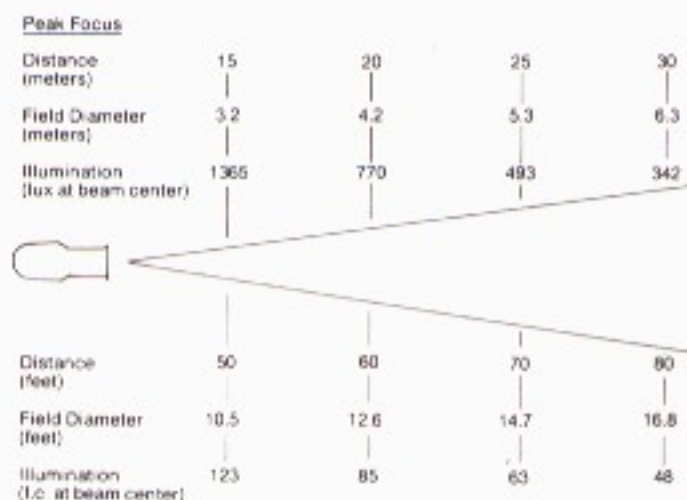
Kliegl 1550 Series

1000 Watt Klieglight

Performance Data

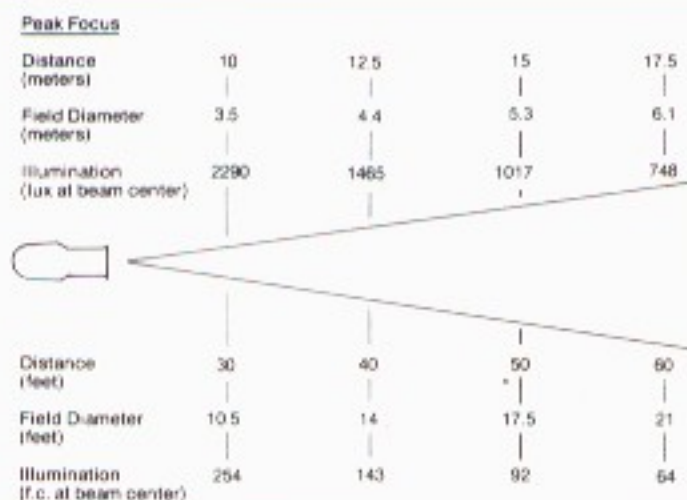
12° Klieglight

Beam Candlepower: 308,000
 Wattage: 1000
 Beam Angle: 7.6°
 Field Angle: 12°
 Field Diameter at any distance, multiply by .21.



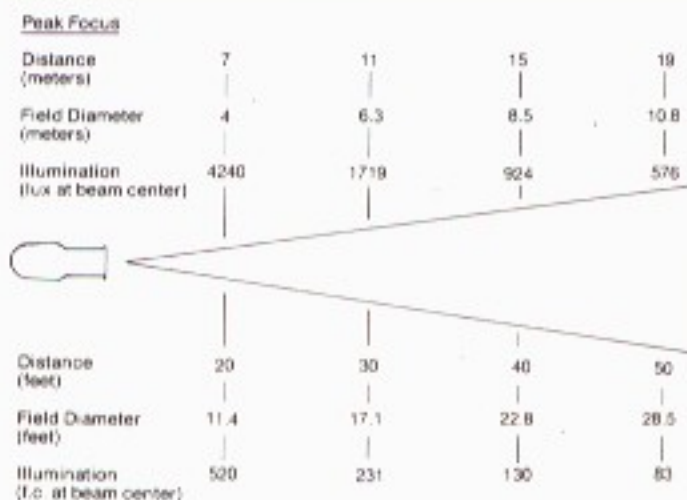
20° Klieglight

Beam Candlepower: 229,000
 Wattage: 1000
 Beam Angle: 9.5°
 Field Angle: 20°
 Field Diameter at any distance, multiply by .35.



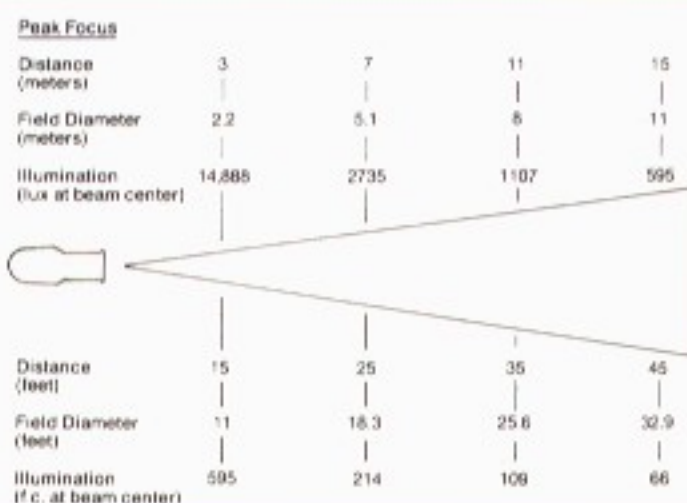
30° Klieglight

Beam Candlepower: 208,000
 Wattage: 1000
 Beam Angle: 10.5°
 Field Angle: 32°
 Field Diameter at any distance, multiply by .57.



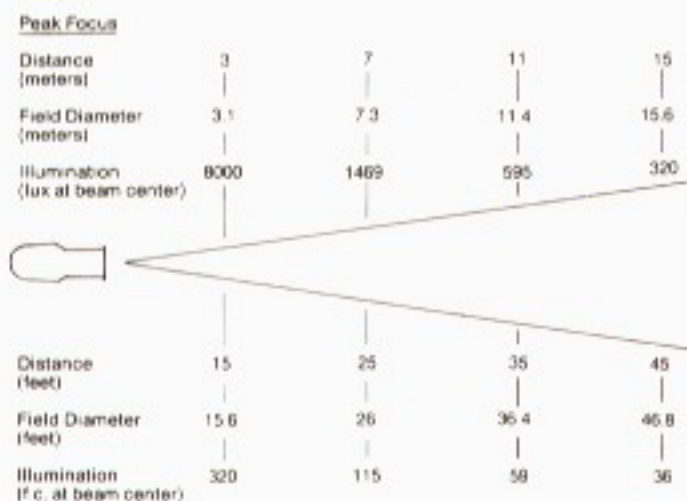
40° Klieglight

Beam Candlepower: 134,000
 Wattage: 1000
 Beam Angle: 15°
 Field Angle: 40°
 Field Diameter at any distance, multiply by .73.



55° Klieglight

Beam Candlepower: 72,000
 Wattage: 1000
 Beam Angle: 21°
 Field Angle: 55°
 Field Diameter at any distance, multiply by 1.04.



kliegl
 Kliegl Bros.

32-32 48th Avenue Long Island City, New York 11101 212/786-7474

All information subject to change.
 © Feb. 1980 Kliegl Bros.