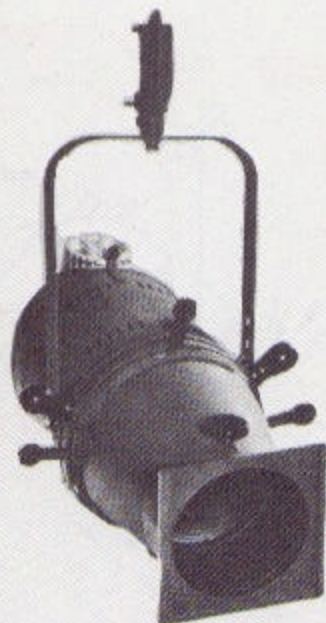


Kliegl

500-750 Watt Klieglight 6" Wide-Angle with Rotating Front Barrel



SPECIFICATIONS

Ellipsoidal reflector spotlights to consist of an aluminum and sheet steel housing, ventilated so that the ambient temperature of the sockets shall not exceed 300°C with any of the rated lamps. Provide interior baffles to prevent spill light. Access for relamping and maintenance is by means of a removeable cast aluminum socket cap held in place by a single thumb screw. Provide hinged middle body with thumb screw catch to allow ease of access for cleaning reflector. Fixture support shall be a rigid strap iron yoke with "C" Clamp for up to 2" pipe. Total fixture weight shall not exceed 15 pounds. Optical train shall contain a specular Alzak aluminum ellipsoidal reflector; pattern slot; four framing shutters of titanium alloy stainless steel with insulated adjustment handles; gate shall be complete with 3/4" diameter reinforced baffle ring; 6" x 3/4" Pyrex® heat resisting stepped lens with black ceramic risers and an adjustable lens tube for focusing. Entire optical train forward of the reflector shall be arranged to rotate through an arc of at least 95° allowing such displacement of the gate and framing devices. Provide rotating mechanism together with adjustment handles and locking bolt. Electrical system to be grounded and consist of medium two pin socket (for 500 watt T4 or 750 watt T5 tungsten halogen lamp) attached to 36" silicone rubber leads (UL type SF2, 200°C rated) in high temperature sleeving and terminating in a 2 pole, 3-wire 20A pin connector. With an EHF lamp the unit shall produce a field angle of 27 degrees which equals or exceeds 67,500 candlepower and shall meet all performance standards listed in the manufacturer's current catalog for this item. Unit to be KLIEGL #1360/W and shall be U.L. listed and labeled.

Provide _____ KLIEGL #1360/W fixtures, each furnished with _____ color frame(s) and _____ lamp(s) with ANSI code # _____

NOTES

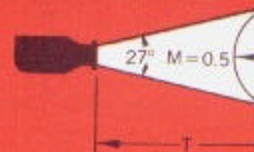
To specify an iris shutter delete "pattern slot" from the specification; add "iris shutter" and change catalog number to KLIEGL #1360I/W.

Standard equipment includes "C" clamp and 2 pole, 3 wire 20A pin connector. Lamps, color frames or other required accessories must be listed in the specification and will be furnished at additional cost.

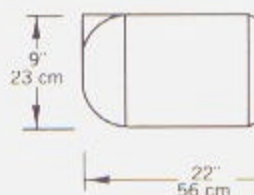
Fill in Project Information Here

Kliegl Models 1

QUICK SELECTOR



TYPICAL THROW DISTANCE
5-15 meters, 20-50 feet
Field Dia. (F) = Throw Dist.



Weight: 15 lbs. 6.8 Kgs

ACCESSORIES

11360	Standard Color Fra
31360	Pattern Holder
41360	Set of 16 Patterns
1850B	"C" Clamp (furnish standard equipmen
1860C	18" "C" Clamp Side
1420	19" Roller Caster FI
51360	Top Hat

For color changers, color wheel special fasteners, refer to Kliegl Accessories Catalog

CONNECTOR

955G	2 Pole 3 Wire 20A P Connector (furnish standard equipmen
------	--

**Kliegl Models 1360/W
1360I/W**

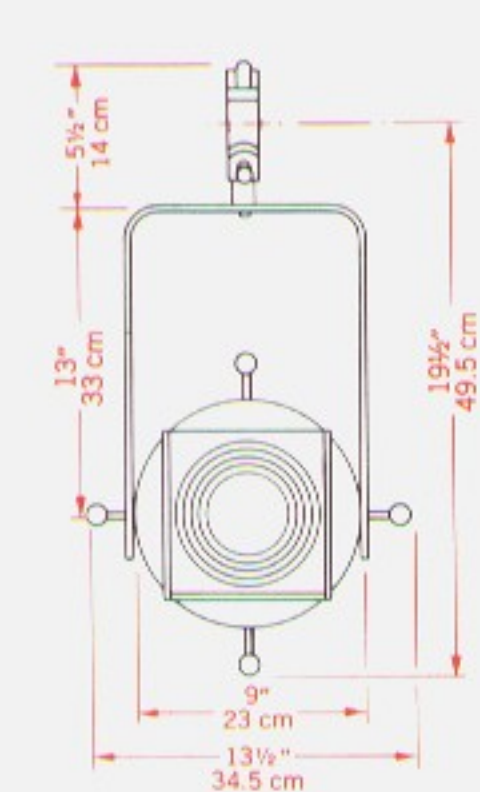
**500-750 Watt 6" Wide-Angle
Klieglight with Rotating Barrel**

Data from ETL Report #413780-A

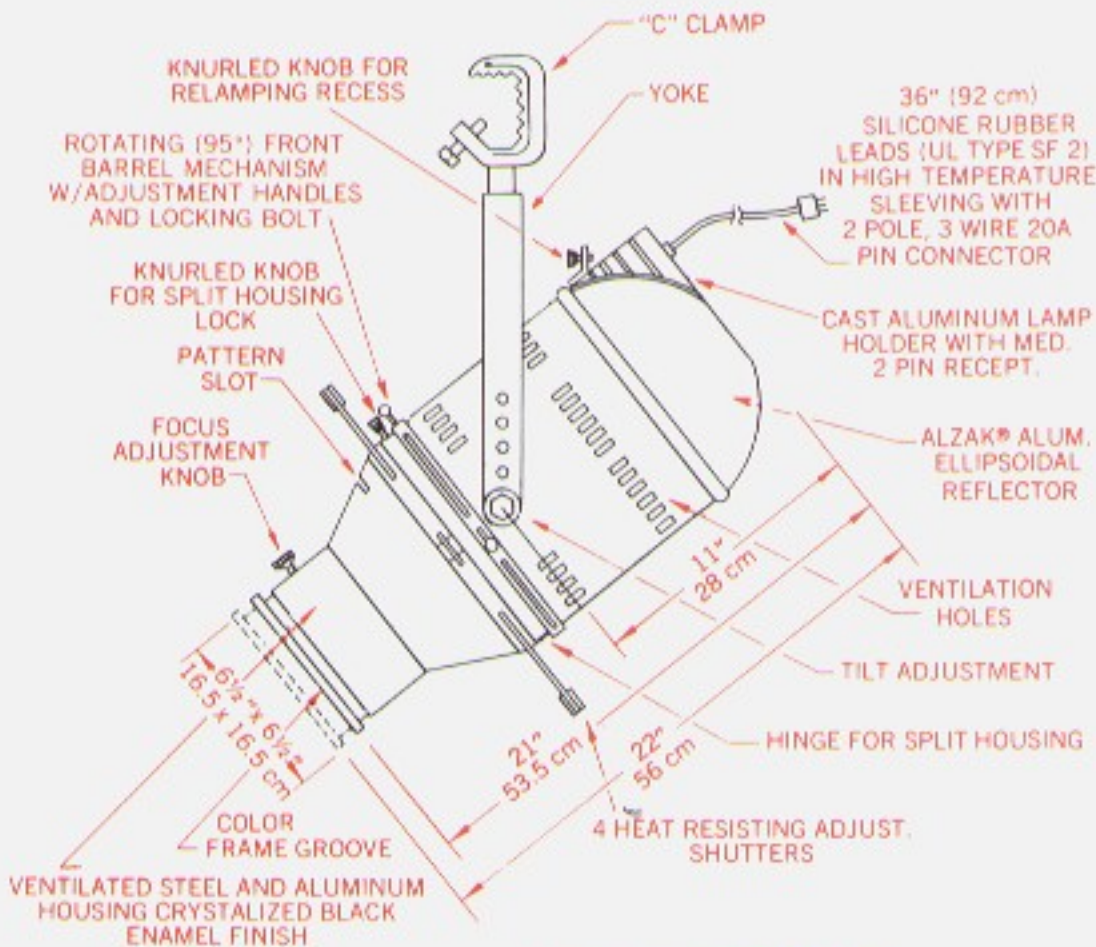


U.L. Listed and Labeled

Union Made in the U.S.A.

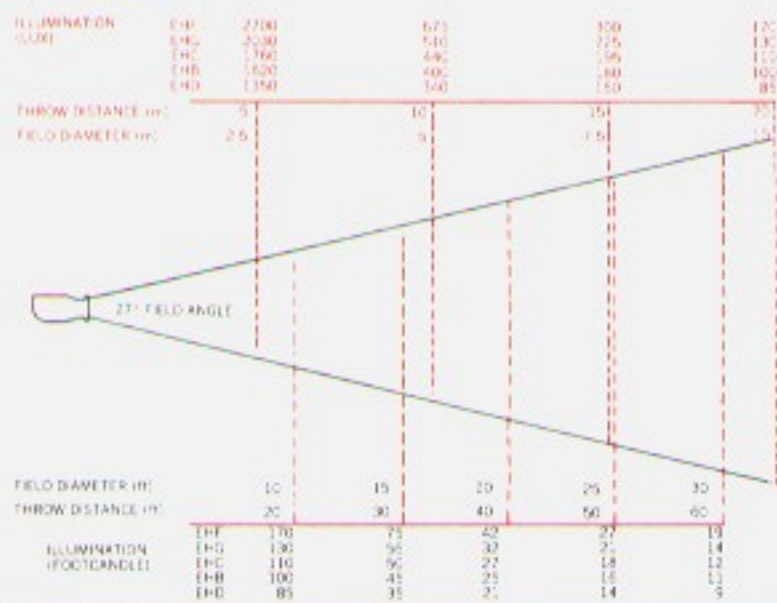


6" PYREX® HEAT RESISTING
STEP LENS W/ BLACK CERAMIC
RISERS

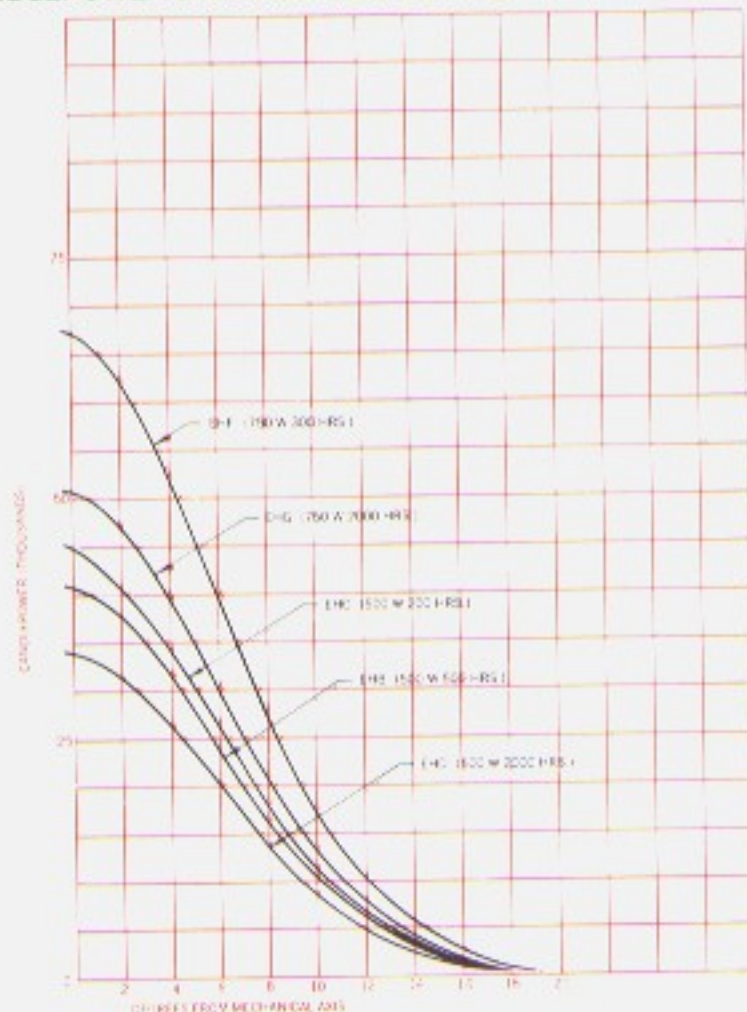


NOTE: WHEN IRIS IS SPECIFIED
LOCATION IS AT PATTERN SLOT

THROW DISTANCE



CANDLEPOWER DISTRIBUTION CURVES



LAMP INFORMATION

LAMP ANSI CODE	WATTS	VOLTS	BULB	LIFE (HOURS)	°K	LUMENS
EHC	500	120	T-4	200	3200	13,000
EHB	500	120	T-4	500	3100	12,000
EHD	500	120	T-4	2000	3000	10,000
EHF	750	120	T-5	300	3200	20,000
EHG	750	120	T-5	2000	3000	15,000