

Kliegl

500-750 Watt 6" Klieglight with Rotating Front Barrel



SPECIFICATIONS

Ellipsoidal reflector spotlights to consist of an aluminum and sheet steel housing, ventilated so that the ambient temperature of the sockets shall not exceed 300°C with any of the rated lamps. Provide interior baffles to prevent spill light. Access for relamping and maintenance is by means of a removable cast aluminum socket cap held in place by a single thumb screw. Provide hinged middle body with thumb screw catch to allow ease of access for cleaning reflector. Fixture support shall be a rigid strap iron yoke with "C" Clamp for up to 2" pipe. Total fixture weight shall not exceed 15 pounds. Optical train shall contain a specular Alzak aluminum ellipsoidal reflector; pattern slot; four framing shutters of titanium alloy stainless steel with insulated adjustment handles; gate shall be complete with 3/4" diameter reinforced baffle ring; 6" x 8" Pyrex® heat resisting stepped lens with black ceramic risers and an adjustable lens tube for focusing. Entire optical train forward of the reflector shall be arranged to rotate through an arc of at least 95°, allowing such displacement of the gate and framing devices. Provide rotating mechanism together with adjustment handles and locking bolt. Electrical system to be grounded and consist of medium two pin socket (for 500 watt T4 or 750 watt T5 tungsten halogen lamp) attached to 36" silicone rubber leads (UL type SF2, 200°C rated) in high temperature sleeving and terminating in a 2 pole, 3-wire 20A pin connector. With an EHF lamp the unit shall produce a field angle of 18 degrees which equals or exceeds 166,000 candlepower and shall meet all performance standards listed in the manufacturer's current catalog for this item. Unit to be KLIEGL #1360 and shall be U.L. listed and labeled.

Provide _____ KLIEGL #1360 fixtures, each furnished with _____ color frame(s) and _____ lamp(s) with ANSI code # _____

NOTES

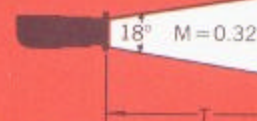
To specify an iris shutter delete "pattern slot" from the specification, add "iris shutter" and change catalog number to KLIEGL #1350/I.

Standard equipment includes "C" clamp and 2 pole, 3 wire 20A pin connector. Lamps, color frames or other required accessories must be listed in the specification and will be furnished at additional cost.

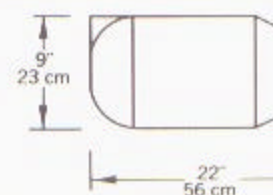
Fill in Project Information Here

Kliegl Models 13
13

QUICK SELECTOR



TYPICAL THROW DISTANCE
10-20 meters, 30-60 feet
Field Dia. (F) = Throw Distance



Weight: 15 Lbs. 6.8 Kgs

ACCESSORIES

11360	Standard Color Frame
31360	Pattern Holder
41360	Set of 16 Patterns
1850B	"C" Clamp (furnish standard equipment)
1860C	18" "C" Clamp Side
1420	19" Roller Caster Frame
51360	Top Hat

For color changers, color wheel special fasteners, refer to Kliegl Accessories Catalog

CONNECTOR

955G	2 Pole 3 Wire 20A Pin Connector (furnish standard equipment)
------	--

**Kliegl Models 1360
1360/I**

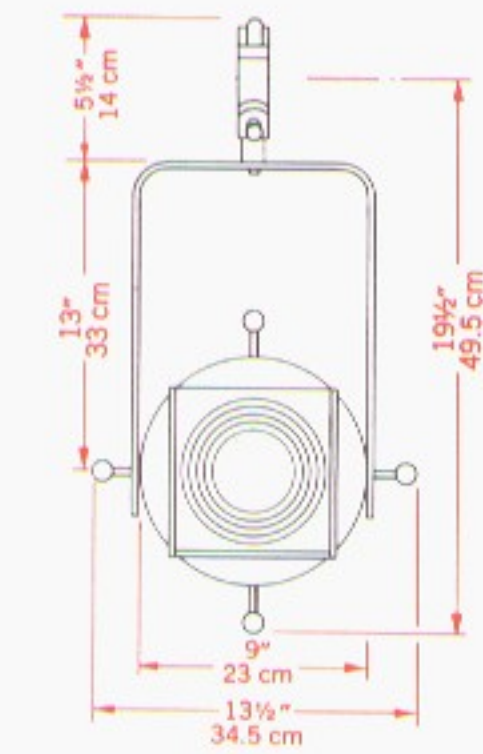
**500-750 Watt 6" Klieglight
with Rotating Barrel**

Data From ETL Report #413781-A

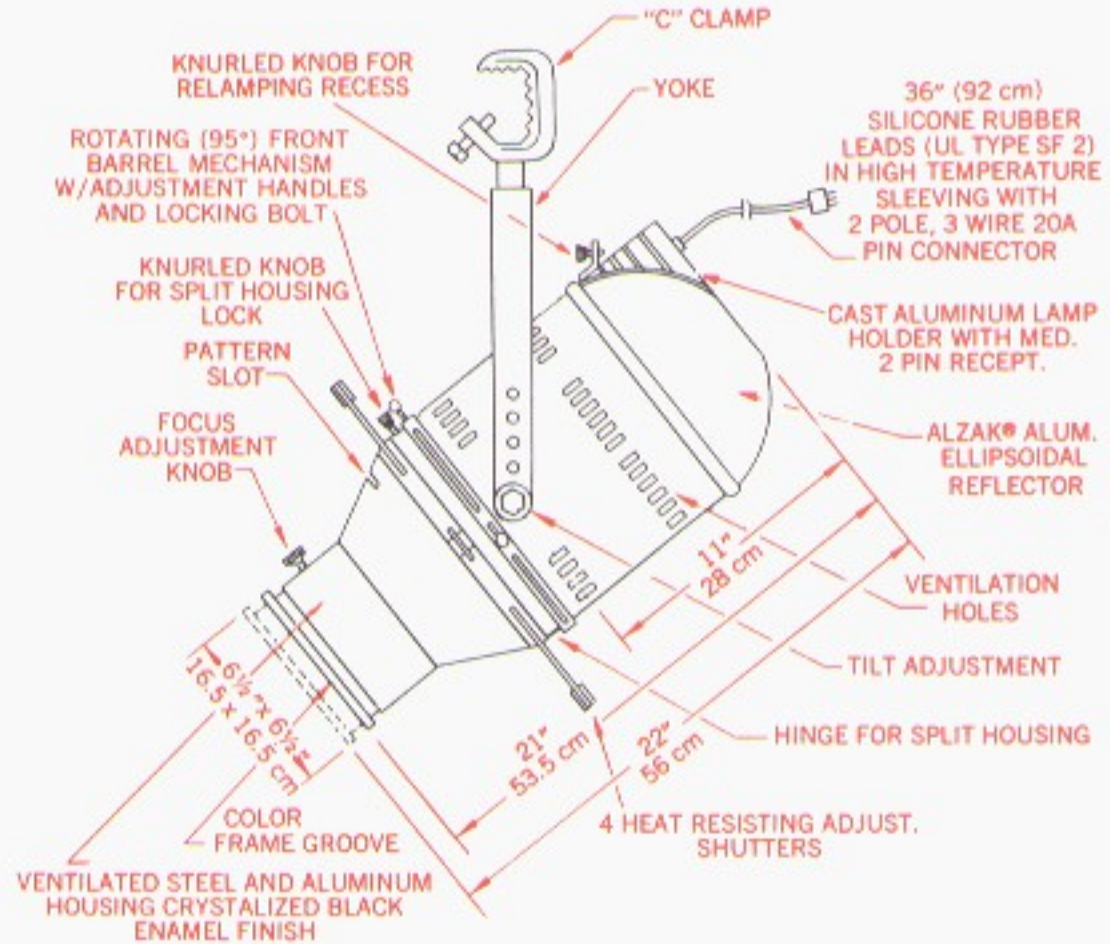


U.L. Listed and Labeled

Union Made in the U.S.A.

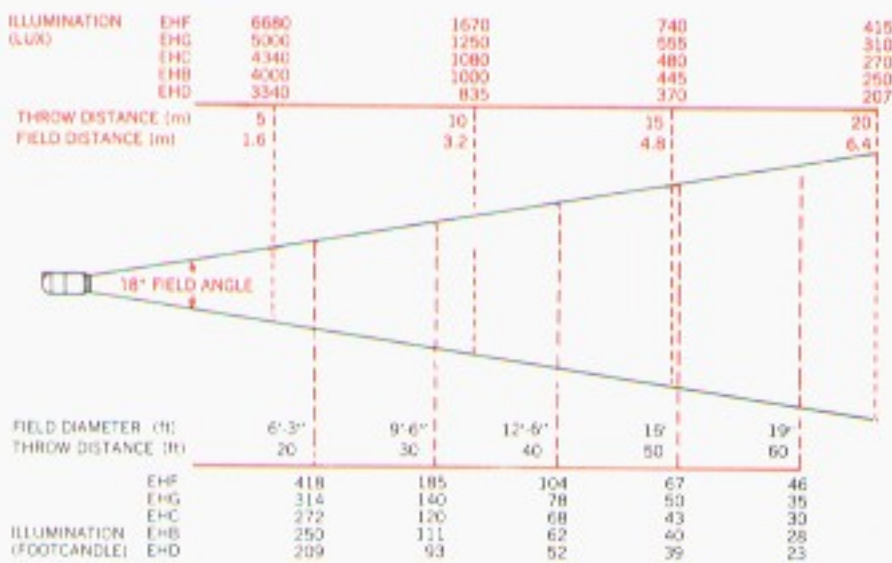


6" PYREX® HEAT RESISTING STEP LENS W/ BLACK CERAMIC RISERS

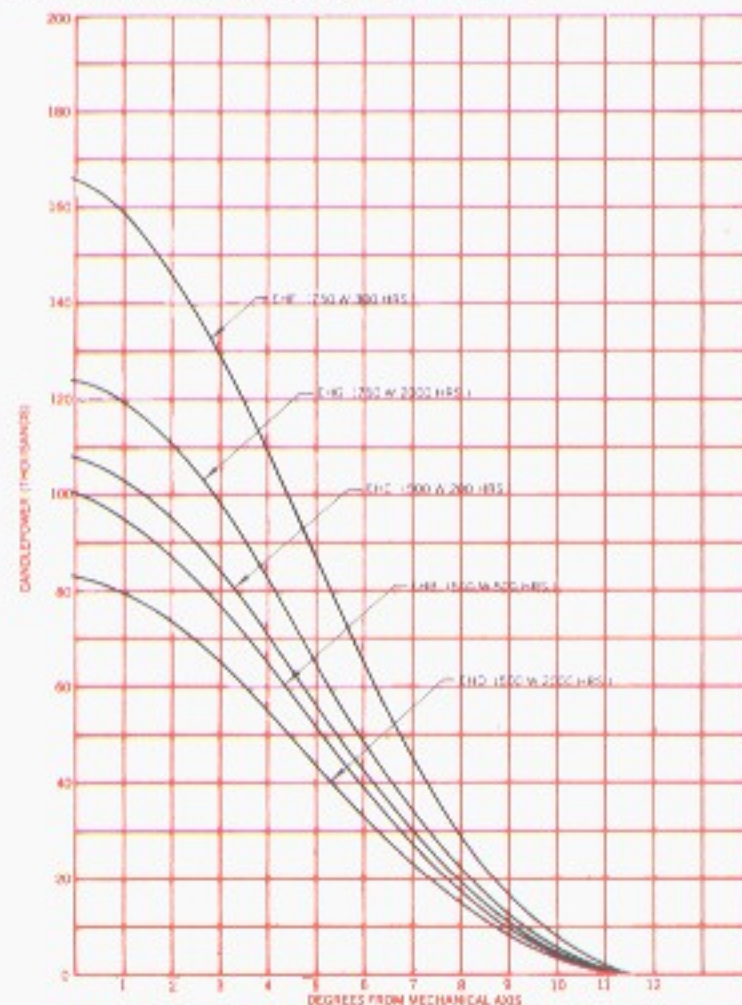


NOTE: WHEN IRIS IS SPECIFIED LOCATION IS AT PATTERN SLOT

THROW DISTANCE



CANDLEPOWER DISTRIBUTION CURVES



LAMP INFORMATION

LAMP ANSI CODE	WATTS	VOLTS	BULB	LIFE (HOURS)	°K	LUMENS
EHC	500	120	T-4	200	3200	13,000
EHB	500	120	T-4	500	3100	12,000
EHD	500	120	T-4	2000	3000	10,000
EHF	750	120	T-5	300	3200	20,000
EHG	750	120	T-5	2000	3000	15,000