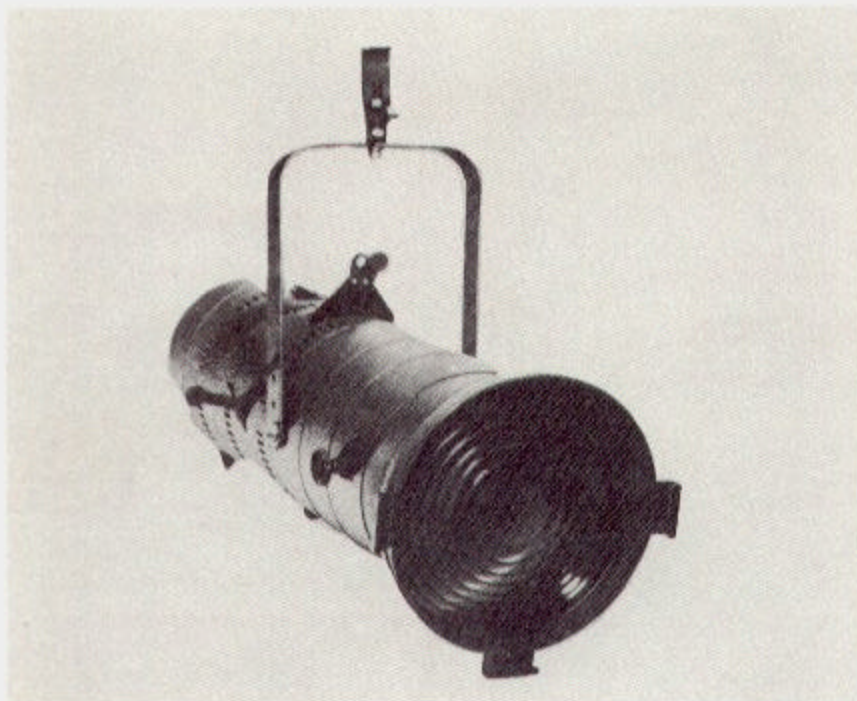


# Kliegl 1000 watt 12' Klieglight

Kliegl Models 1357/  
1357 I



## SPECIFICATIONS

Ellipsoidal reflector spotlights to consist of an aluminum and sheet steel housing, ventilated so that the ambient temperature of the sockets shall not exceed 275°C. Access for relamping and maintenance is by means of hinged rear body with quick acting latch. Fixture support shall be a rigid iron yoke with "C" clamp for up to 2" pipe. Provide wood grip handle. Total fixture weight shall not exceed 28 pounds. Optical train shall contain a specular Alzak® aluminum ellipsoidal reflector pattern slot; four framing shutters of titanium alloy stainless steel with insulated adjustment handles; 12" by 16" Pyrex® heat resisting stepped lens with black ceramic risers and an adjustable lens tube for focusing. Electrical system to be grounded and consist of 2 single pole, recessed contact sockets (for a 1000 watt, T6 tungsten halogen lamp) attached to 36" silicone rubber leads (UL type SF2, 200°C. rated) in high temperature sleeving and terminating in a 2 pole, 3 wire 20A pin connector. With an EHS 1000 watt, 500 hour lamp the unit shall produce a field angle of 8° which equals or exceeds 480,000 candlepower and shall meet all performance standards listed in the manufacturer's current catalog for this item. Unit to be KLIEGL #1357/12

Provide \_\_\_\_\_ KLIEGL #1357/12 fixtures, each furnished with \_\_\_\_\_ color frame(s) and \_\_\_\_\_ lamp(s) with ANSI code # \_\_\_\_\_.

## NOTES

To specify an iris shutter delete "pattern slot" from the specification, add "iris shutter" and change catalog number to KLIEGL #1357I/12.

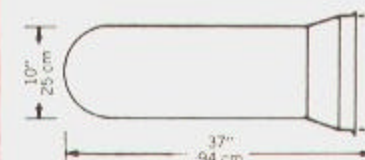
Standard equipment includes "C" clamp and 2 pole, 3 wire 20A pin connector. Lamps, color frames or other required accessories must be listed in the specification and will be furnished at additional cost.

Fill in Project Information Here

## QUICK SELECTOR GUIDE



TYPICAL THROW DISTANCE  
15-30 meters; 50-100 feet  
Field Dia. (F) = Throw Distance (T)



Weight: 28 Lbs. 12.6 Kgs

## ACCESSORIES

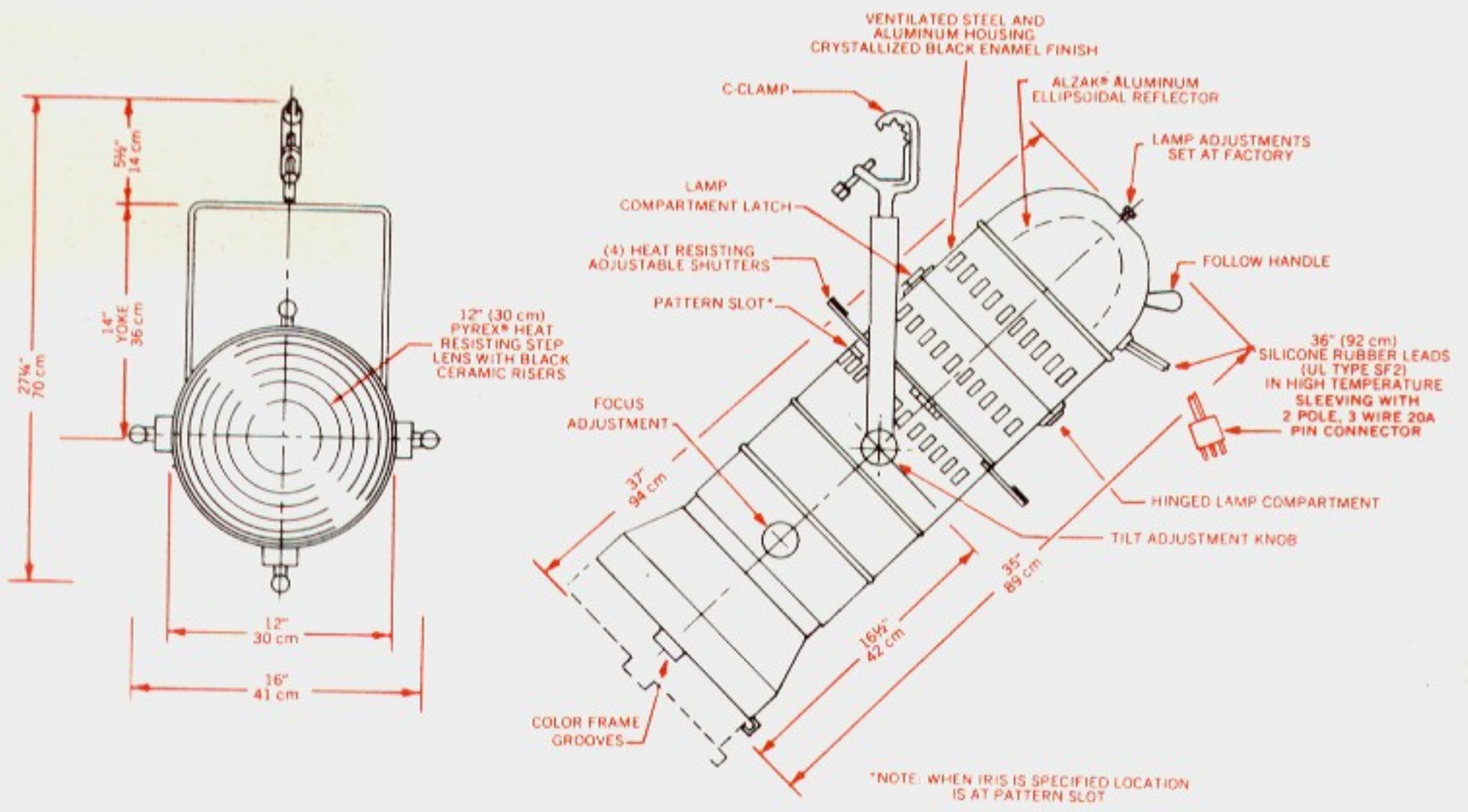
11357/12	Color Frame
31357	Pattern Holder
41357	Set of 16 Patterns
1850B	"C" Clamp (furnished as standard equipment)
1860C	18" "C" Clamp Side Arm
1422	30" Roller Caster Floor St

For color changers, color wheels and special fasteners refer to Kliegl Accessories Catalog.

## CONNECTORS

955G	2 Pole 3 Wire 20A Pin Connector (furnished as standard Equipment)
TLG	2 Pole 3 Wire 20A Twist

Data From ETL Report # 404840-A  U.L. Listed and Labeled Union Made in the U.S.A.



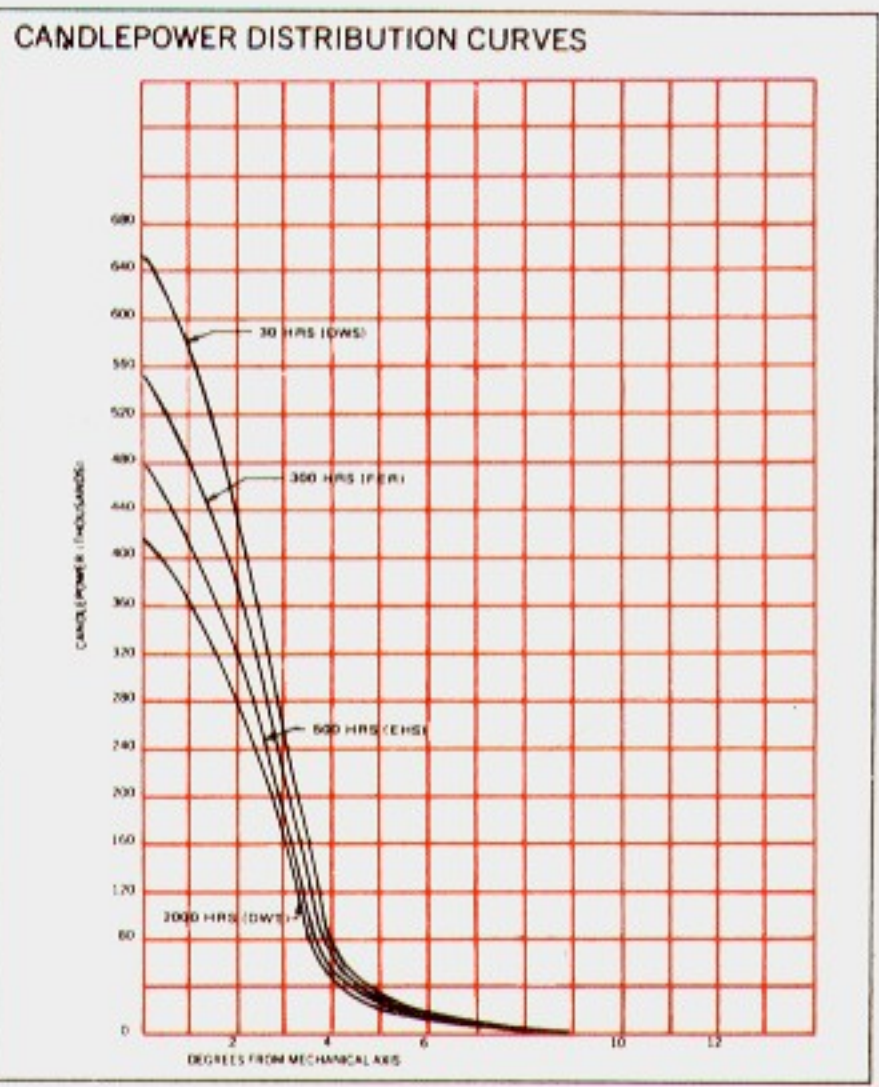
### THROW DISTANCE

ILLUMINATION (LUX)	DWS	2930	1650	1050	730
	FER	2470	1390	890	610
	EHS	2130	1200	760	530
	DWT	1860	1050	670	460
THROW DISTANCE (m)		15	20	25	30
FIELD DIAMETER (m)		2.1	2.8	3.5	4.2

**8° FIELD ANGLE**

FIELD DIAMETER	7'-0"	8'-6"	9'-9"	11'-3"	12'-6"	14'-0"
THROW DISTANCE	50'	60'	70'	80'	90'	100'

ILLUMINATION (FOOT CANDLES)	DWS	264	182	133	103	81	66
	FER	222	154	112	87	68	55
	EHS	192	133	97	75	59	48
	DWT	168	116	84	65	51	42



### LAMP INFORMATION

LAMP ANSI CODE	WATTS	VOLTS	BULB	LIFE (HOURS)	°K	LUMENS
DWS	1000	120	T-6	30	3400	33000
FER	1000	120	T-6	300	3200	28000
EHS	1000	120	T-6	500	3100	24000
DWT	1000	120	T-6	2000	3000	21000