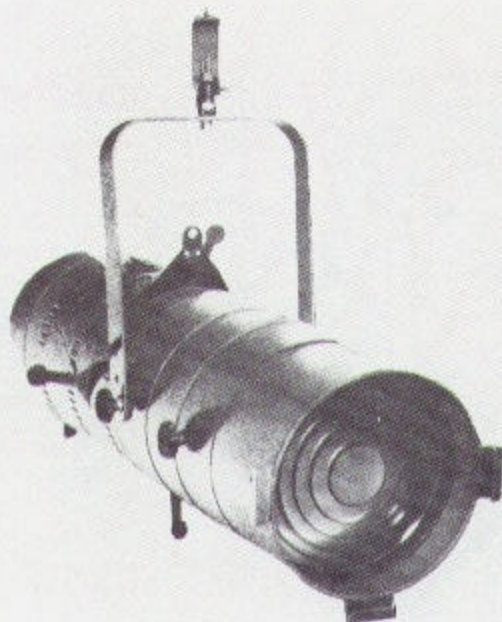


# Kliegl 1000 watt 10" Klieglight

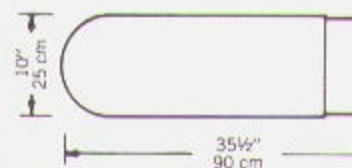
Kliegl Models 1357/10  
1357I/10



## QUICK SELECTOR GUIDE



**TYPICAL THROW DISTANCE**  
15-30 meters; 50-100 feet  
Field Dia. (F) = Throw Distance (T)



Weight: 28 Lbs. 12.6 Kgs

## SPECIFICATIONS

Ellipsoidal reflector spotlights to consist of an aluminum and sheet steel housing, ventilated so that the ambient temperature of the sockets shall not exceed 275°C. Access for relamping and maintenance is by means of hinged rear body with quick acting latch. Fixture support shall be a rigid iron yoke with "C" clamp for up to 2" pipe. Provide wood grip handle. Total fixture weight shall not exceed 28 pounds. Optical train shall contain a specular Alzak® aluminum, ellipsoidal reflector; pattern slot; four framing shutters of titanium alloy stainless steel with insulated adjustment handles; 10" by 15" Pyrex® heat resisting stepped lens with black ceramic risers and an adjustable lens tube for focusing. Electrical system to be grounded and consist of 2 single pole, recessed contact sockets (for a 1000 watt, T6 tungsten halogen lamp) attached to 36" silicone rubber leads (UL type SF2, 200°C. rated) in high temperature sleeving and terminating in a 2 pole, 3 wire 20A pin connector. With an EHS 1000 watt, 500 hour lamp the unit shall produce a field angle of 9° which equals or exceeds 475,000 candlepower and shall meet all performance standards listed in the manufacturer's current catalog for this item. Unit to be KLIEGL #1357/10.

Provide \_\_\_\_\_ KLIEGL #1357/10 fixtures, each furnished with \_\_\_\_\_ color frame(s) and \_\_\_\_\_ lamp(s) with ANSI code # \_\_\_\_\_.

## NOTES

To specify an iris shutter delete "pattern slot" from the specification, add "iris shutter" and change catalog number to KLIEGL #1357I/10.

Standard equipment includes "C" clamp and 2 pole, 3 wire, 20A pin connector. Lamps, color frames or other required accessories must be listed in the specification and will be furnished at additional cost.

Fill in Project  
Information Here

## ACCESSORIES

11357/10	Color Frame
31357	Pattern Holder
41357	Set of 16 Patterns
1850B	"C" Clamp (furnished as standard equipment)
1860C	18" "C" Clamp Side Arm
1422	30" Roller Caster Floor Sta

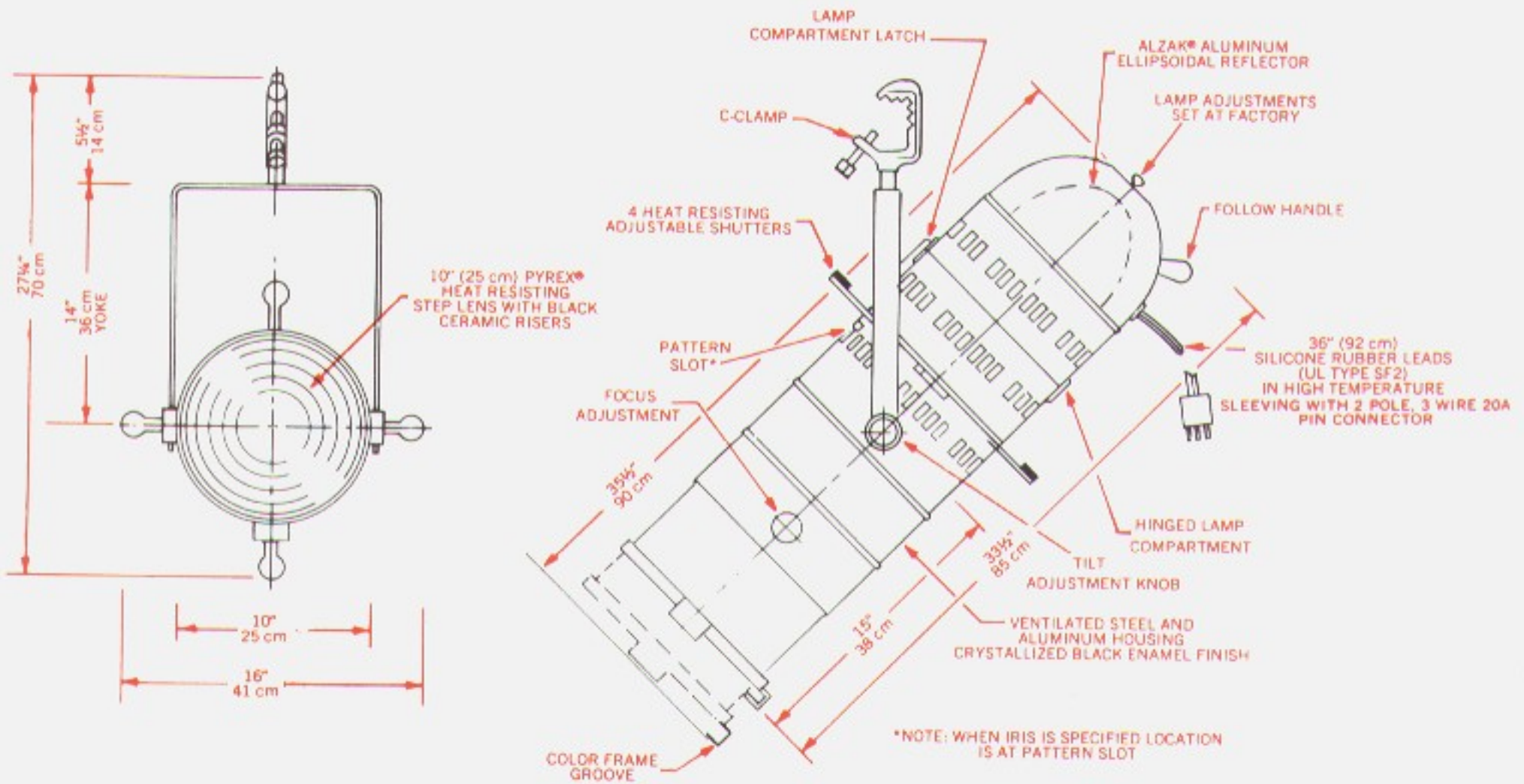
For color changers, color wheels and special fasteners refer to Kliegl Accessories Catalog.

## CONNECTORS

955G	2 Pole 3 Wire 20A Pin Connector (furnished as standard Equipment)
------	---

**Kliegl Models 1357/10 1000 watt**  
**1357I/10 10" Klieglight**

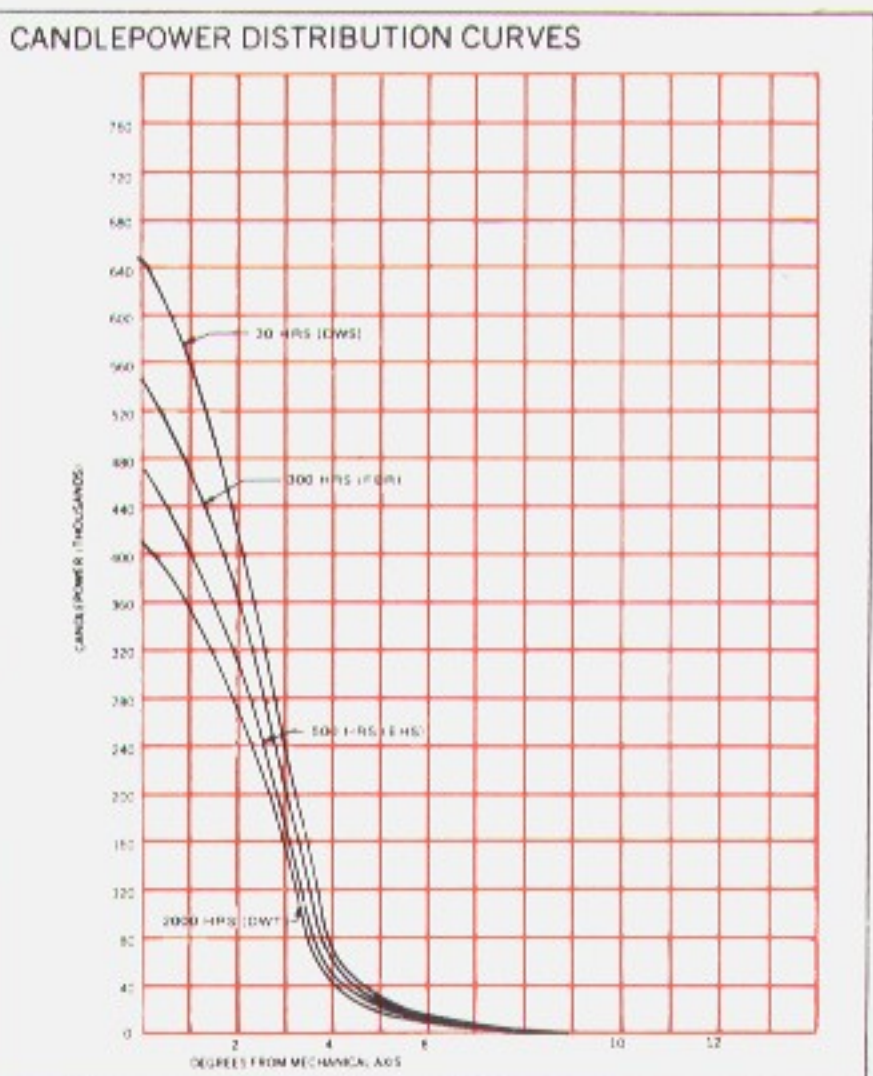
Data From ETL Report # 404838-A  U.L. Listed and Labeled Union Made in the U.S.A.



### THROW DISTANCE

ILLUMINATION (LUX)	DWS 2900	1630	1040	720
	FER 2440	1370	880	610
	EHS 2110	1180	760	520
	DWT 1840	1030	660	460
THROW DISTANCE (m)	15	20	25	30
FIELD DIAMETER (m)	2.4	3.1	3.9	4.7

FIELD DIAMETER	7'-9"	9'-6"	11'-0"	12'-6"	14'-3"	15'-9"
THROW DISTANCE	50'	60'	70'	80'	90'	100'
ILLUMINATION (FOOT CANDLES)	DWS 261	180	132	101	79	64
	FER 220	151	111	85	67	54
	EHS 190	131	96	74	58	47
	DWT 166	114	84	64	50	41



### LAMP INFORMATION

LAMP ANSI CODE	WATTS	VOLTS	BULB	LIFE (HOURS)	°K	LUMENS
DWS	1000	120	T-6	30	3400	33000
FER	1000	120	T-6	300	3200	28000
EHS	1000	120	T-6	500	3100	24000
DWT	1000	120	T-6	2000	3000	21000