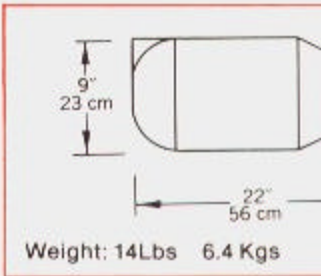
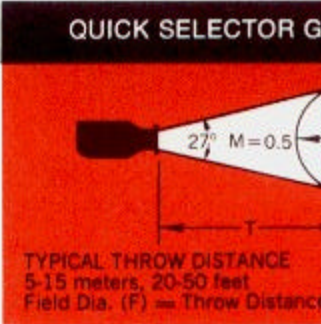
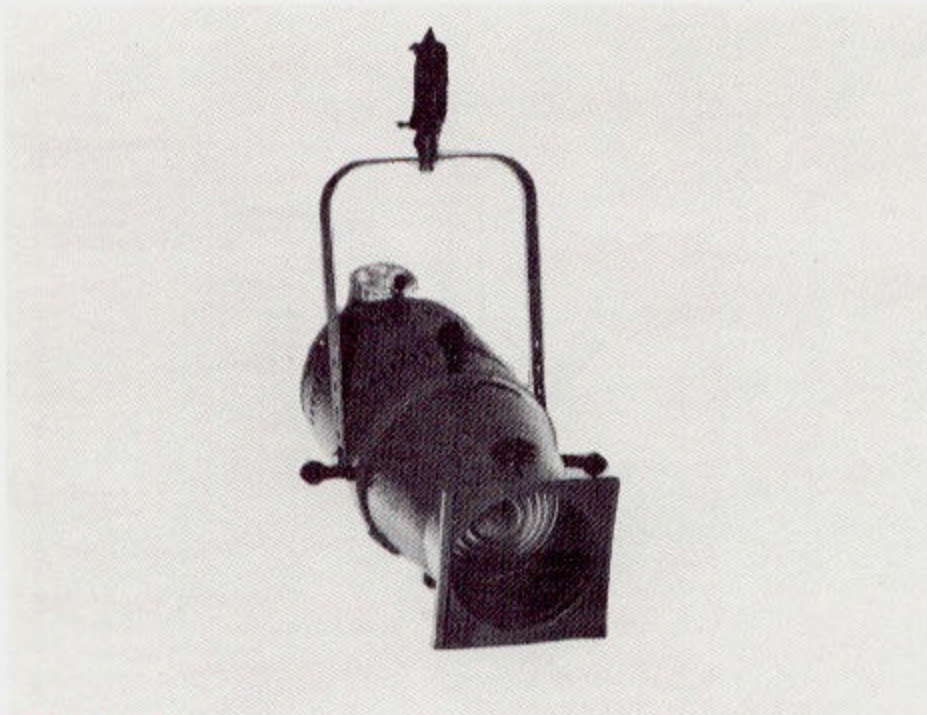


Kliegl 500-700 Watt Klieglight 6" Wide-Angle

**Kliegl Models 13
13**



SPECIFICATIONS

Ellipsoidal reflector spotlights to consist of an aluminum and sheet steel housing, ventilated so that the ambient temperature of the sockets shall not exceed 300°C with any of the rated lamps. Provide interior baffles to prevent spill light. Access for relamping and maintenance is by means of a removable cast aluminum socket cap held in place by a single thumb screw. Provide hinged middle body with thumb screw catch to allow ease of access for cleaning reflector. Fixture support shall be a rigid strap iron yoke with "C" Clamp for up to 2" pipe. Total fixture weight shall not exceed 12 pounds. Optical train shall contain a specular Alzak aluminum ellipsoidal reflector; pattern slot; four framing shutters of titanium alloy stainless steel with insulated adjustment handles; gate shall be complete with 3/4" diameter reinforced baffle ring; 6" x 3/4" Pyrex® heat resisting stepped lens with black ceramic risers and an adjustable lens tube for focusing. Electrical system to be grounded and consist of medium two pin socket (for 500 watt T4 or 750 watt T5 tungsten halogen lamp) attached to 36" silicone rubber leads (UL type SF2, 200°C rated) in high temperature sleeving and terminating in a 2 pole, 3-wire 20A pin connector. With an EHF lamp the unit shall produce a field angle of 27 degrees which equals or exceeds 67,500 candlepower and shall meet all performance standards listed in the manufacturer's current catalog for this item. Unit to be KLIEGL #1355W and shall be U.L. listed and labeled.

Provide _____ KLIEGL #1355W fixtures, each furnished with _____ color frame(s) and _____ lamp(s) with ANSI code # _____

NOTES

To specify an iris shutter delete "pattern slot" from the specification; add "iris shutter" and change catalog number to KLIEGL #1355I/W.

Standard equipment includes "C" clamp and 2 pole, 3-wire 20A pin connector. Lamps, color frames or other required accessories must be listed in the specification and will be furnished at additional cost.

Fill in Project Information Here

ACCESSORIES

- 11355 Standard Color Frame
- 31355 Pattern Holder
- 41355 Set of 16 Patterns
- 1850B "C" Clamp (furnished standard equipment)
- 1860C 18" "C" Clamp Side
- 1420 19" Roller Caster Frame
- 51355 Top Hat

For color changers, color wheel special fasteners, refer to Kliegl Accessories Catalog.

CONNECTORS

- 955G 2 Pole 3 Wire 20A Pin Connector (furnished standard equipment)
- T1 G 2 Pole 3 Wire 20A Pin Connector

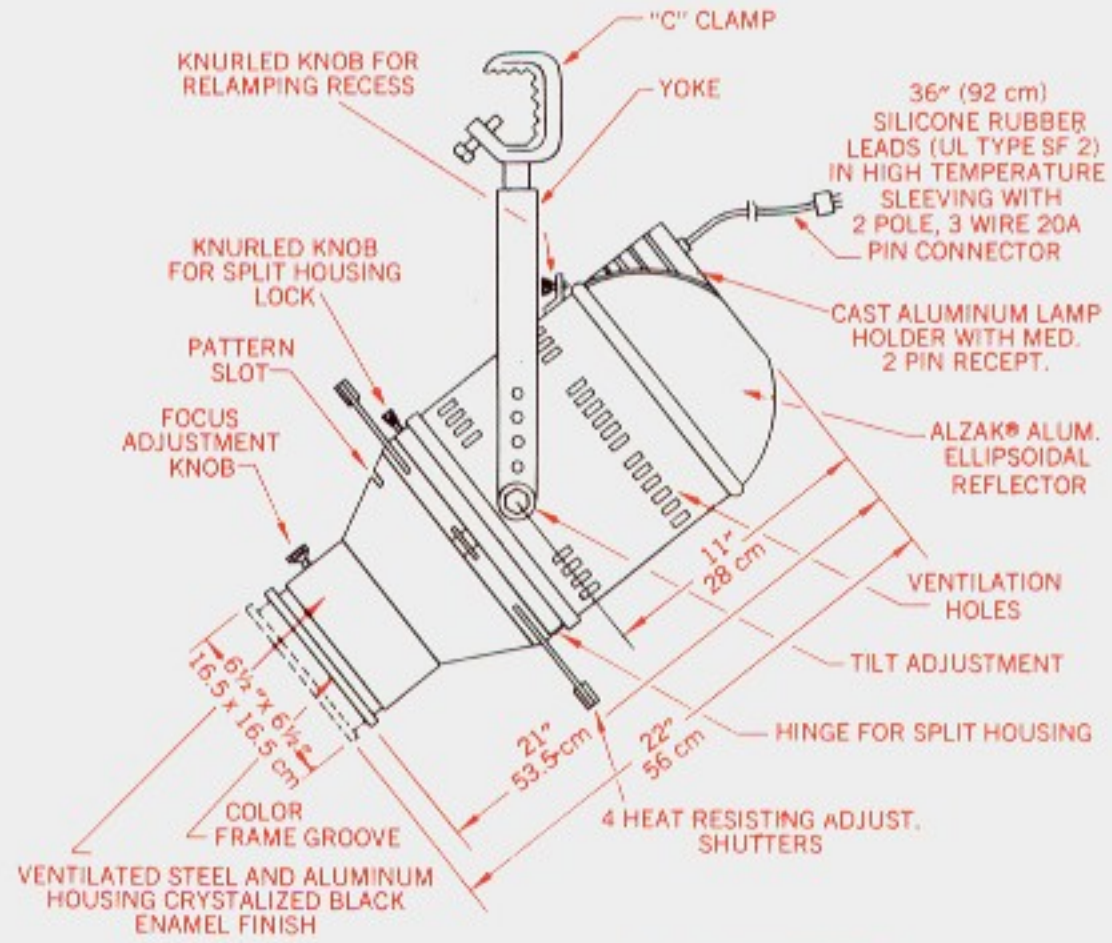
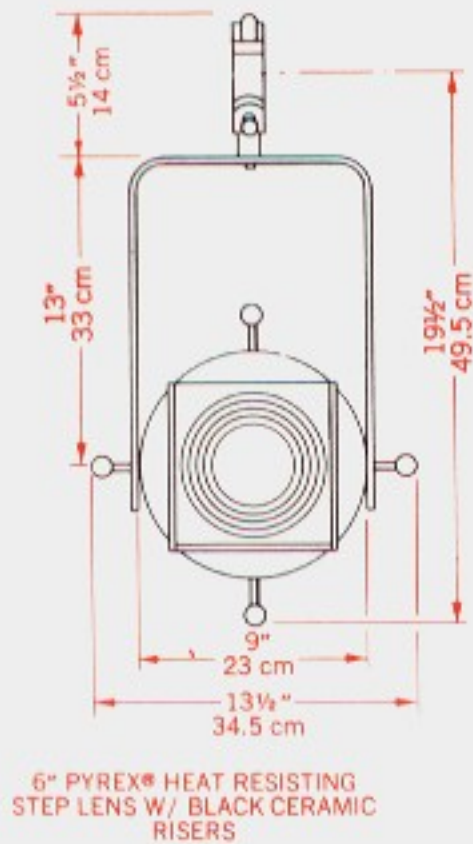
Kliegl Models 1355/W 500-750 Watt
1355I/W 6" Wide-Angle Klieglight

Data from ETL Report #413780-A



U.L. Listed and Labeled

Union Made in the U.S.A.



NOTE: WHEN IRIS IS SPECIFIED LOCATION IS AT PATTERN SLOT

THROW DISTANCE

ILLUMINATION (LUX)	EHF	2700	675	300	170
	EHG	2030	510	225	130
	EHC	1760	440	195	110
	EHB	1620	400	180	100
	EHD	1350	340	150	85
THROW DISTANCE (FT)		5	10	15	20
FIELD DIAMETER (FT)		2.5	5	7.5	10

FIELD DIAMETER (FT)	10	15	20	25	30	
THROW DISTANCE (FT)	20	30	40	50	60	
ILLUMINATION (FOOTCANDLE)	EHF	170	75	42	27	19
	EHG	130	56	32	21	14
	EHC	110	50	27	18	12
	EHB	100	45	25	16	11
	EHD	85	35	21	14	9

LAMP INFORMATION

LAMP ANSI CODE	WATTS	VOLTS	BULB	LIFE (HOURS)	°K	LUMENS
EHC	500	120	T-4	200	3200	13,000
EHB	500	120	T-4	500	3100	12,000
EHD	500	120	T-4	2000	3000	10,000
EHF	750	120	T-5	300	3200	20,000
EHG	750	120	T-5	2000	3000	15,000

