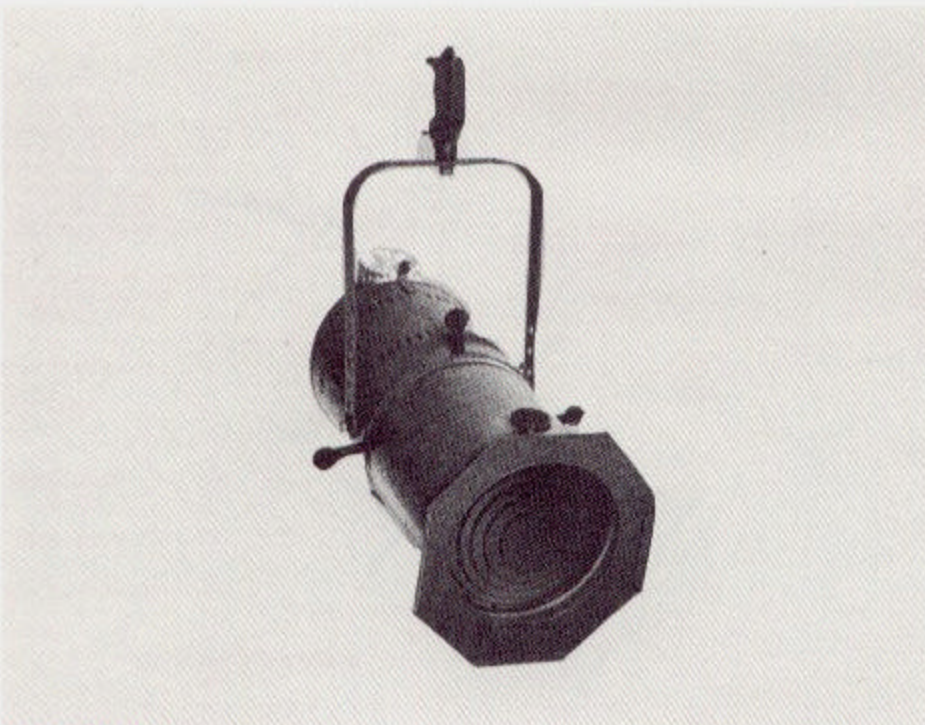


Kliegl 500-750 Watt 8" Klieglight

Kliegl Models 13
13



SPECIFICATIONS

Ellipsoidal reflector spotlights to consist of an aluminum and sheet steel housing, ventilated so that the ambient temperature of the sockets shall not exceed 300°C with any of the rated lamps. Provide interior baffles to prevent spill light. Access for relamping and maintenance is by means of a removeable cast aluminum socket cap held in place by a single thumb screw. Provide hinged middle body with thumb screw catch to allow ease of access for cleaning reflector. Fixture support shall be a rigid strap iron yoke with "C" Clamp for up to 2" pipe. Total fixture weight shall not exceed 16 pounds. Optical train shall contain a specular Alzak aluminum ellipsoidal reflector; pattern slot; four framing shutters of titanium alloy stainless steel with insulated adjustment handles; gate shall be complete with 3/4" diameter reinforced baffle ring; 8" x 12" Pyrex® heat resisting stepped lens with black ceramic risers and an adjustable lens tube for focusing. Electrical system to be grounded and consist of medium two pin socket (for 500 watt T4 or 750 watt T5 tungsten halogen lamp) attached to 3/8" silicone rubber leads (UL type SF2, 200°C rated) in high temperature sleeving and terminating in a 2 pole, 3-wire 20A pin connector. With an EHF lamp the unit shall produce a field angle of 12 degrees which equals or exceeds 334 000 candlepower and shall meet all performance standards listed in the manufacturer's current catalog for this item. Unit to be KLIEGL #1355/8 and shall be U.L. listed and labeled.

Provide _____ KLIEGL #1355/8 fixtures, each furnished with _____ color frame(s) and _____ lamp(s) with ANSI code # _____.

NOTES

To specify an iris shutter delete "pattern slot" from the specification, add "iris shutter" and change catalog number to KLIEGL #1355I/8.

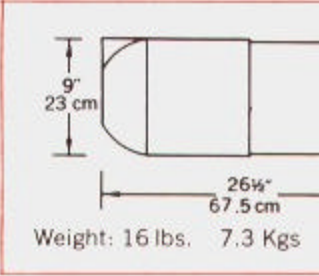
Standard equipment includes "C" clamp and 2 pole, 3 wire 20A pin connector. Lamps, color frames or other required accessories must be listed in the specification and will be furnished at additional cost.

Fill in Project Information Here

QUICK SELECTOR

12° M=0.2

TYPICAL THROW DISTANCE
10-25 meters, 35-80 feet
Field Dia. (F) = Throw Distanc



ACCESSORIES

- 11355/8 Standard Color Fram
- 31355 Pattern Holder
- 41355 Set of 16 Patterns
- 1850B "C" Clamp (furnishe standard equipment)
- 1860C 18" "C" Clamp Side
- 1420 19" Roller Caster Fl
- 51355/8 Top Hat

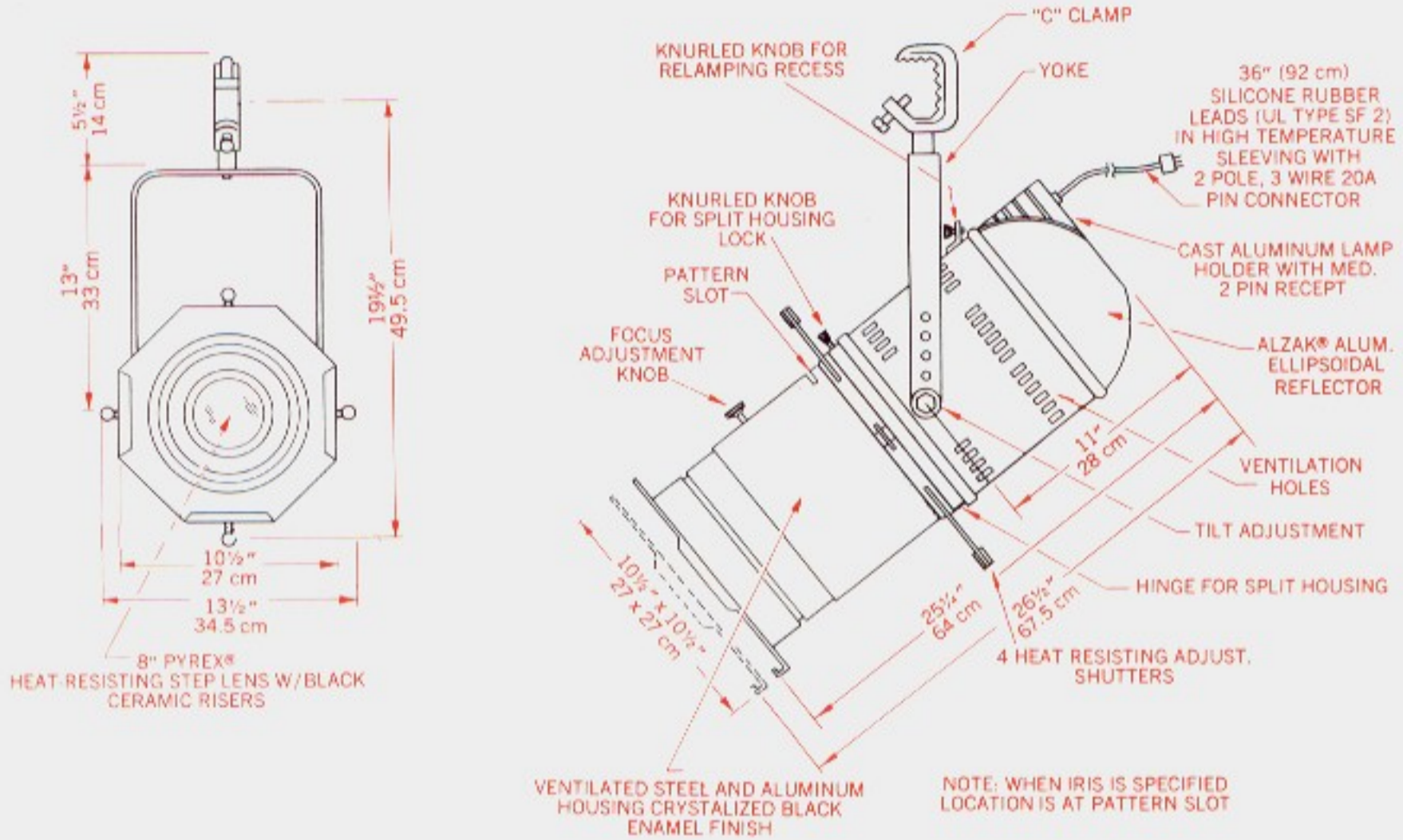
For color changers, color wheel special fasteners, refer to Kliegl Accessories Catalog.

CONNECTORS

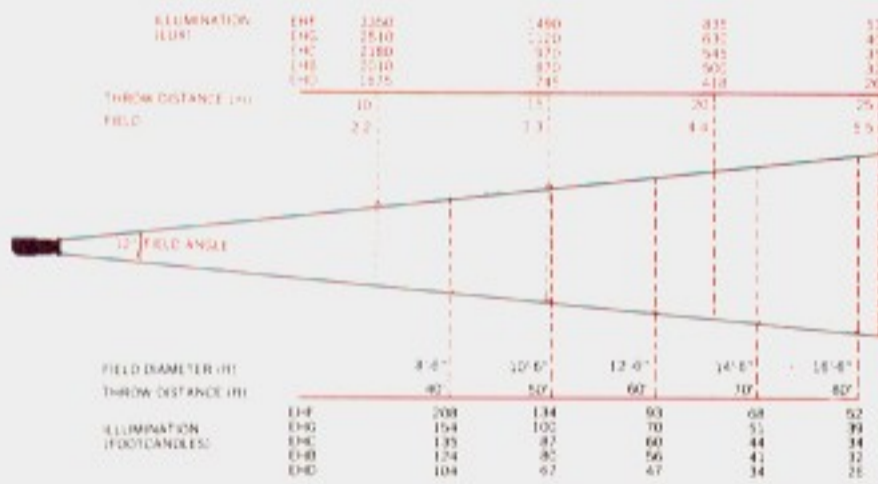
- 955G 2 Pole 3 Wire 20A Pin Connector (furnishe standard equipment)

Kliegl Models 1355/8 500-750 Watt
1355I/8 8" Klieglight

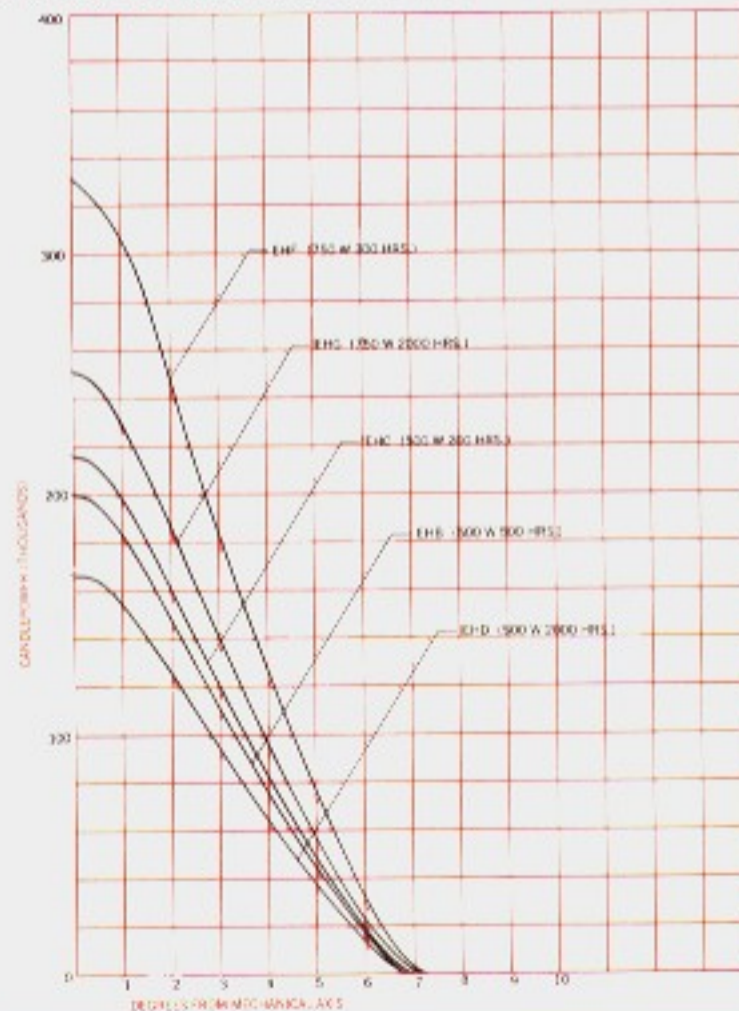
Data from ETL Report #413782-A  U.L. Listed and Labeled Union Made in the U.S.A.



THROW DISTANCE



CANDLEPOWER DISTRIBUTION CURVES



LAMP INFORMATION

LAMP ANSI CODE	WATTS	VOLTS	BULB	LIFE (HOURS)	* K	LUMENS
EHC	500	120	T-4	200	3200	13,000
EHB	500	120	1-4	500	3100	12,000
EHD	500	120	T-4	2000	3000	10,000
EHF	750	120	T-5	300	3200	20,000
EHG	750	120	T-5	2000	3000	15,000