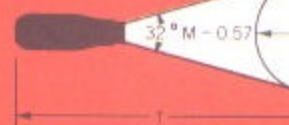


# Kliegl 400 Watt 3 1/2" Klieglight

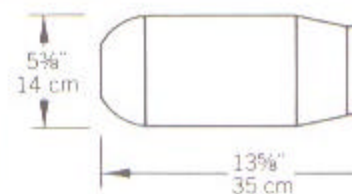


## Kliegl Model 134

### QUICK SELECTOR GU



TYPICAL THROW DISTANCE  
3-6 meters; 10-20 feet  
Field Dia. (F) = Throw Distance (T)



Weight: 9 Lbs. 3.8 Kgs.

### SPECIFICATIONS

Ellipsoidal reflector spotlights to consist of an aluminum and sheet steel housing, ventilated so that the ambient temperature of the sockets shall not exceed 350°C. Access for relamping and maintenance is by means of hinged rear body with quick acting latch. Fixture support shall be a rigid iron yoke with "C" clamp for up to 2" pipe. Total fixture weight shall not exceed 9 pounds. Optical train shall contain a specular Alzak® aluminum, ellipsoidal reflector; pattern slot; four framing shutters of titanium alloy stainless steel with insulated adjustment handles; dual 3 1/2" diameter heat resisting plano-convex lenses and an adjustable lens tube for focusing. Electrical system to be grounded and consist of 2 single pole, recessed contact sockets (for a 400 watt, T3 tungsten halogen lamp) attached to 36" silicone rubber leads (UL type SF2, 200°C. rated) in high temperature sleeving and terminating in a 2 pole, 3 wire 20A pin connector. With a 400 watt, 250 hour lamp the unit shall produce a field angle of 32° which equals or exceeds 14,000 candlepower and shall meet all performance standards listed in the manufacturer's current catalog for this item. Unit to be KLIEGL #1342.

Provide \_\_\_\_\_ KLIEGL #1342 fixtures, each furnished with \_\_\_\_\_ color frame(s) and \_\_\_\_\_ lamp(s) with ANSI code # \_\_\_\_\_.

*Standard equipment includes "C" clamp and 2 pole, 3 wire 20A pin connector. Lamps, color frames or other required accessories must be listed in the specification and will be furnished at additional cost.*

Fill in Project  
Information Here

### ACCESSORIES

11340	Standard Color Frame
31340	Pattern Holder
41340	Set of 16 Patterns
1850B	"C" Clamp (furnished as standard equipment)
1860C	18" "C" Clamp Side Arm
1415	18" Spoke Base Floor St
1420	19" Roller Caster Floor S
51340	Top Hat

For color changers, color wheels special fasteners refer to Kliegl Accessories Catalog.

### CONNECTORS

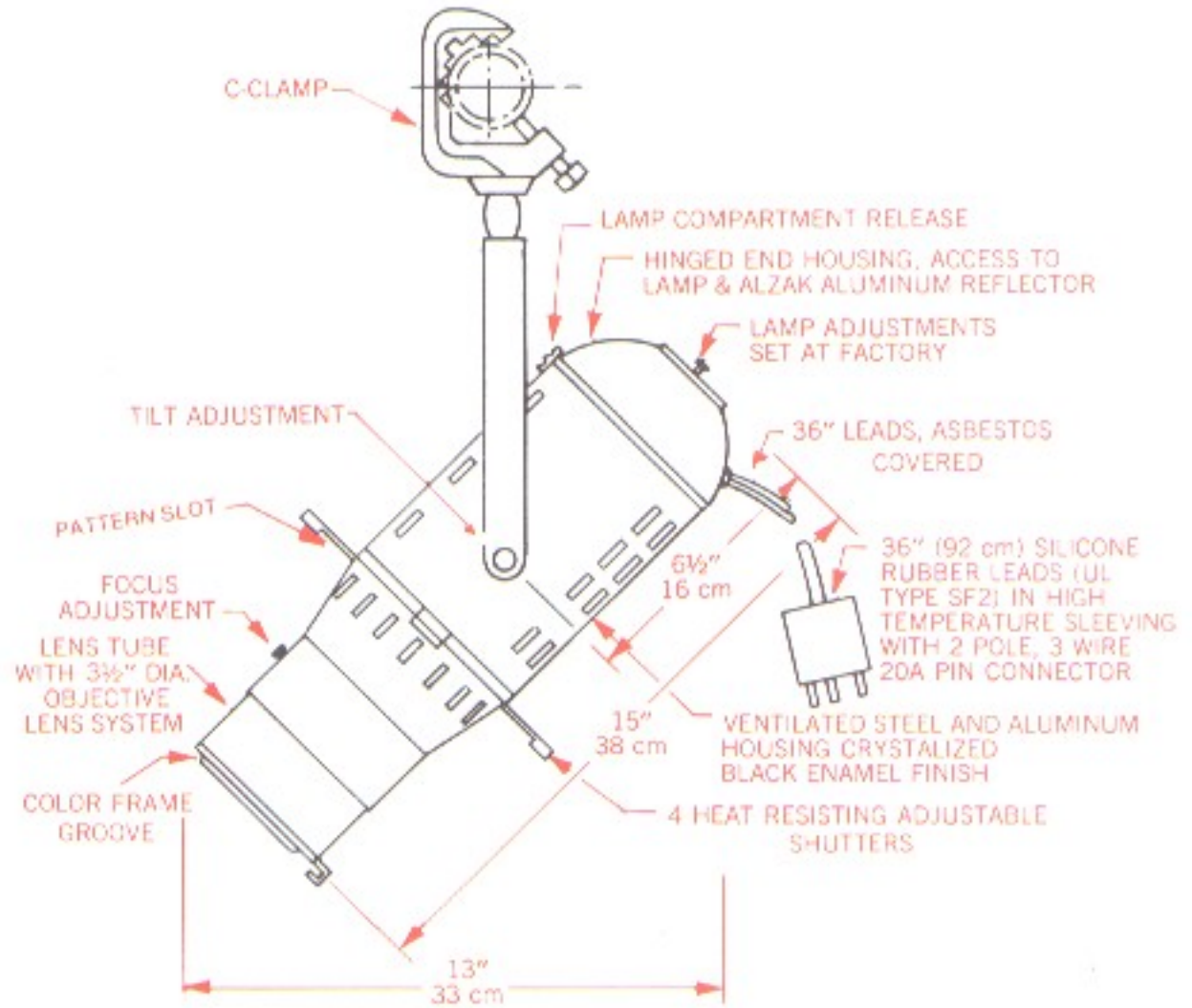
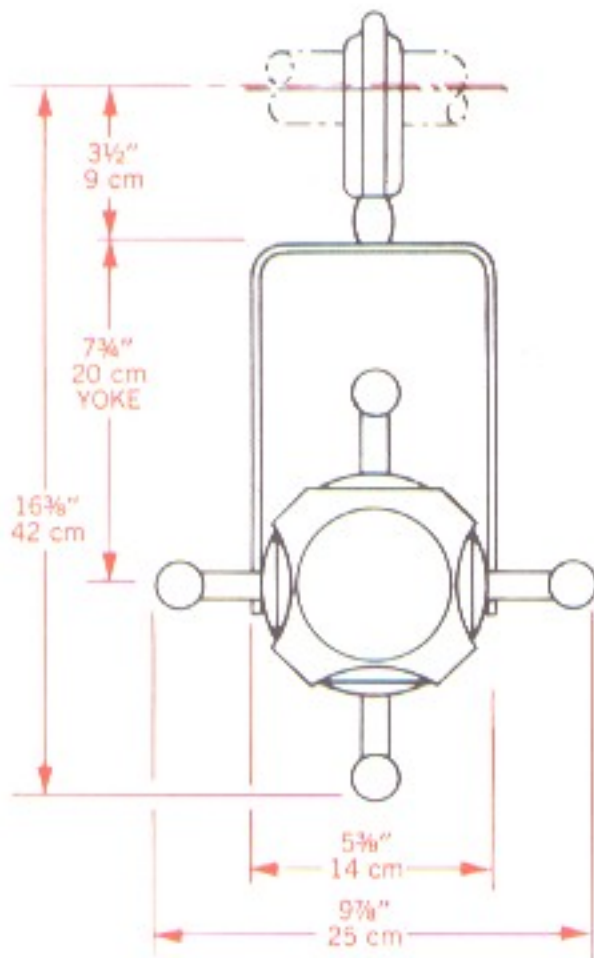
955G	2 Pole 3 Wire 20A Pin Connector (furnished as standard equipment)
------	---

**Kliegl Model 1342**

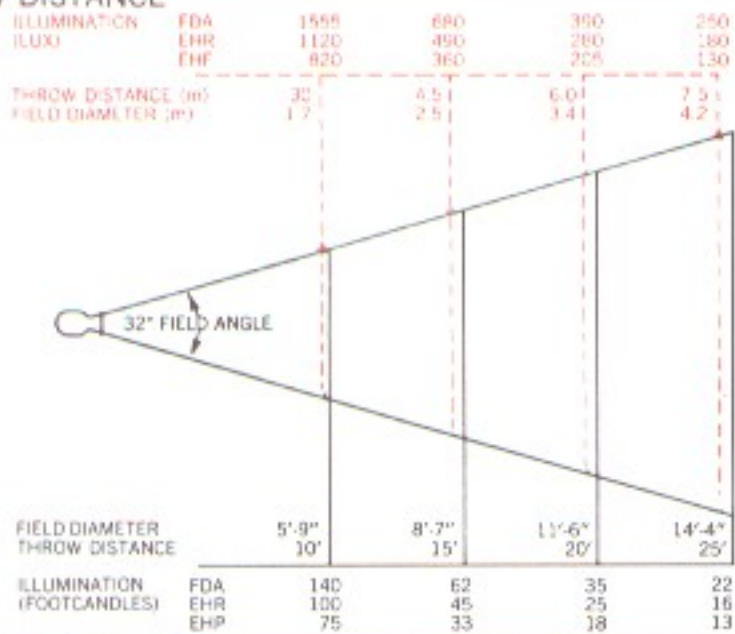
**400 Watt  
3 1/2" Klieglight**

Data from ETL Report #413862

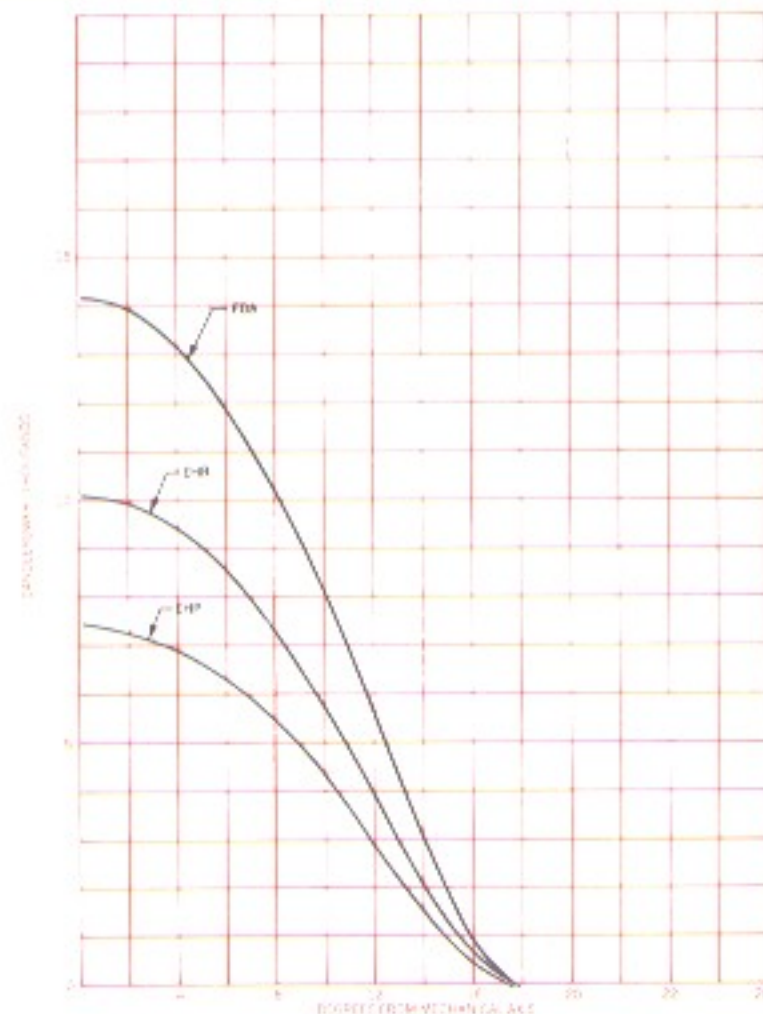
U.L. Listed and Labeled Union Made in the U.S.A.



**THROW DISTANCE**



**CANDLEPOWER DISTRIBUTION CURVES**



**LAMP INFORMATION**

LAMP ANSI CODE	WATTS	VOLTS	BULB	LIFE (HOURS)	°K	LUMENS
EHP	300	120	T-4	2000	3000	5,500
FDA	400	120	T-4	250	3200	10,400
EHR	400	120	T-4	2000	3000	7,500