

Parts List



Coda 500/1

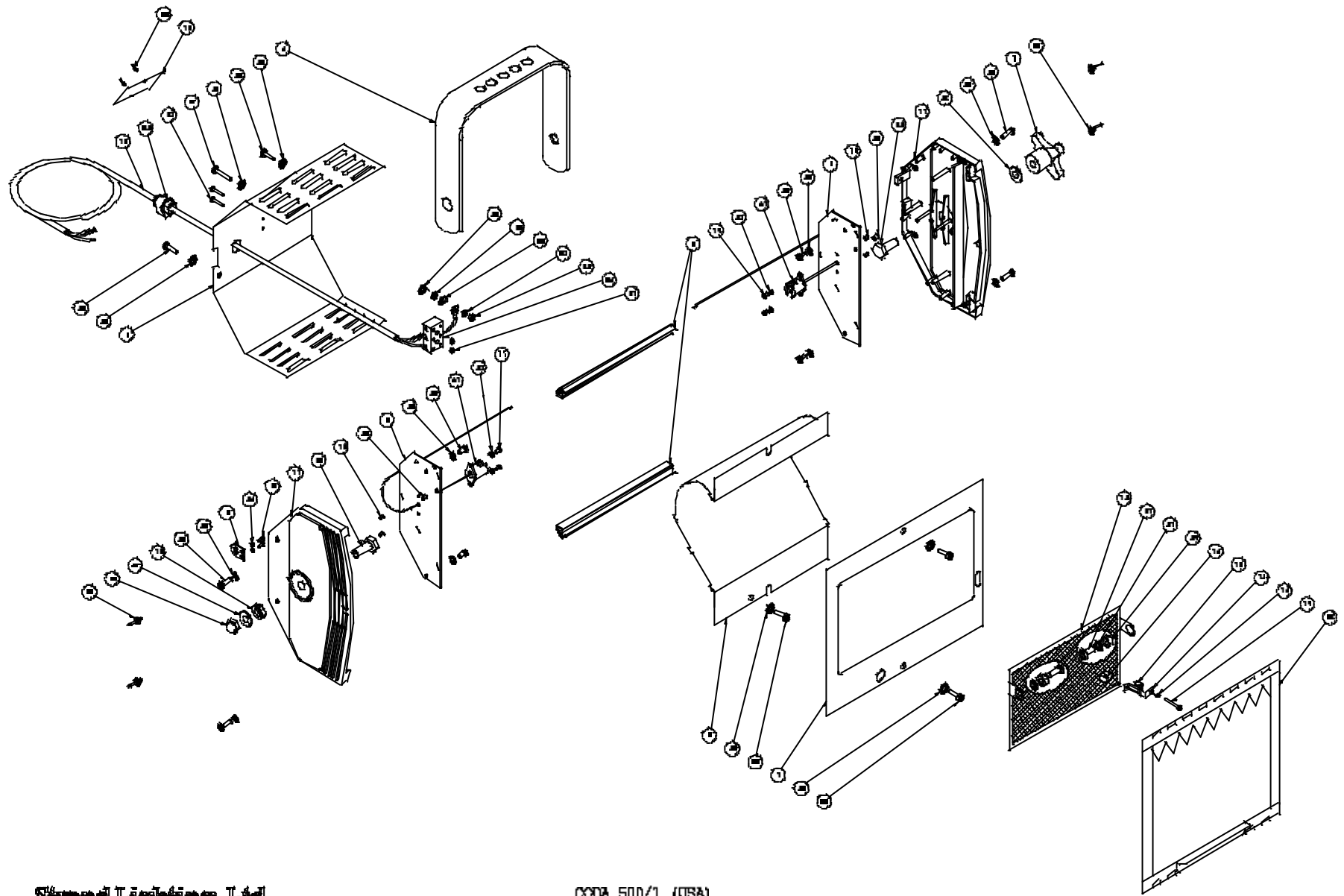
120V

Drawing Part/Package Description: Part/Package No: Package Items:
Ident:

1	HANDWHEEL (FORK)	CB/0C26100
2	CODA REFLECTOR	DB/0A27902/1
3	COVER	DM/0A29032
4	FORK -FLOOD SUB K	DM/0B29192
5	END PLATE RH	DM/0B29385
6	END PLATE LH	DM/0B29386
7	SINGLE SUB KW FRONT PLATE	DM/0B29389
8	SAFETY CHAIN BOND	DM/0D29034
9	FRONT CROSS MEMBER	EM/0C27921
10	#SPACER	EM/0D27950
11	E/CAST & F/IS INRT (707/B025)	FP/0A29035
12	GLAND PLATE SPEC CODA	NX/0D29404/LABL
13	FLOODLIGHT MAINS CABLE	PL/0B41642/3
14	RETAINING CLIP	HB/0D29369
15	FRAME WELDMENT SUB-KW	TS/0C29346
16	POP RIVET TAP/D36BS-042	604/B081
17	M3 X 12MM POZI PAN HD SBZ	700/B121
18	M3 GROVER WASHER SBZ	703/B004
19	M3 AVDEL INSERT	707/B022
20	COLOUR FRAME	TS/0B27935
21	LAMPHOLDER VOSSLOH 30134	246/B035
22	CUP WASHER M4	250/B514
23	WASHER M4	250/B515
24	TERMINAL BLOCK 4003 NT	250/B565
25	CABLE GLAND	256/B155
26	POP RIVET TAP/D46BS-042	604/B082
27	POP RIVET TAP/D56BS-042	604/B204
28	SCR NO8 X 3/8 S/T PAN/HD/PZ	654/B055
29	SCR NO8 X 1/2 S/T PAN/HD/PZ	654/B057

Drawing Ident:	Part/Package Description:	Part/Package No:	Package Items:
----------------	---------------------------	------------------	----------------

30	M4 X 20MM POZI PAN HD SBZ	700/B008	
31	M4 X 16MM POZI PAN HD SBZ	700/B022	
32	M5 X 8MM POZI PAN HD SBZ	700/B063	
33	M3 X 20MM POZI PAN HD SBZ	700/B110	
34	For information please contact your Strand supplier.		
35	M10 X 20MM SET HEX HD SBZ	700/B150	
36	M4 FULL NUT SBZ	701/B004	
37	M3 FULL NUT SBZ	701/B008	
38	For information please contact your Strand supplier.		
39	M10 DOME NUT SBZ	701/B029	
40	M10 PLAIN WASHER SBZ	702/B011	
41	M4 GROVER WASHER SBZ	703/B003	
42	M4 EXT TOOTH SHAKEPROOF SCP	704/B003/SCP	
43	M3 EXT TOOTH SHAKEPROOF SCP	704/B005/SCP	
44	M5 EXT TOOTH SHAKEPROOF SCP	704/B014/SCP	
45	M4 X 4MM SPACER HARWIN	705/B064	
46	M4 AVDEL INSERT	707/B004	
47	For information please contact your Strand supplier.		
48	For information please contact your Strand supplier.		
49	M4 X 12MM POZI PAN HD SBZ TAP	711/B007/TAP	



Strand Lighting Ltd

OXDA 500/1 (USA)