

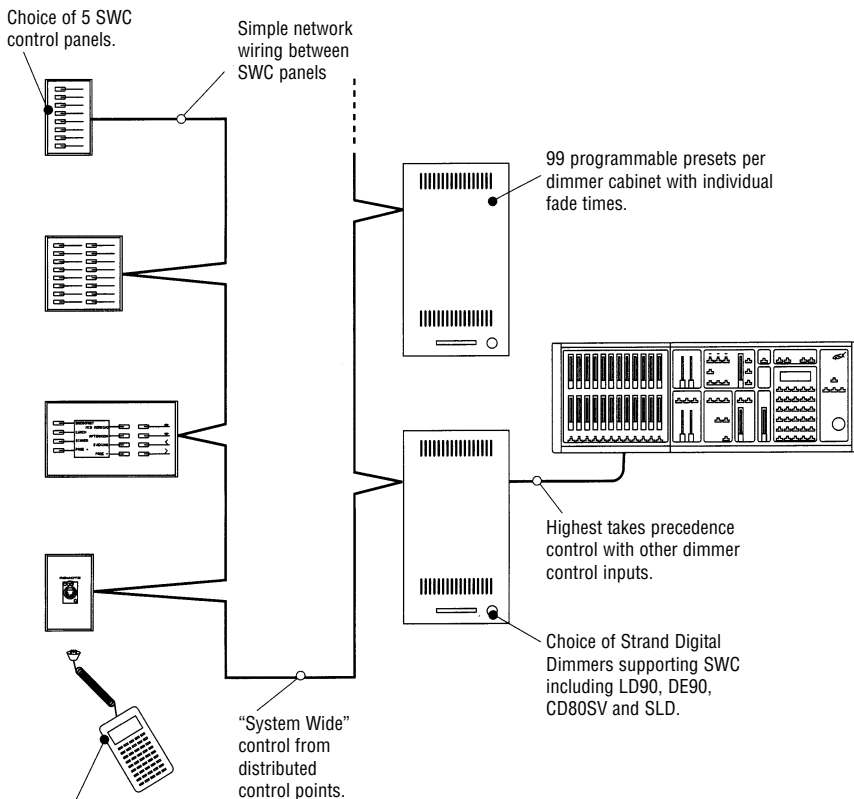


SWC

System Wide Control

Features:

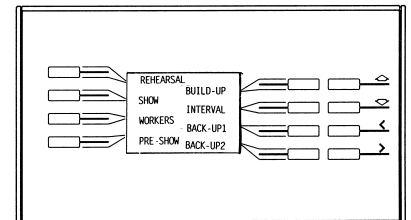
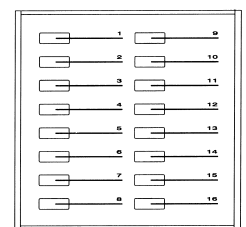
- ❑ SWC capability available as standard with DE 90™ and CD80SV dimmers
- ❑ 99 Programmable presets for local or remote selection
- ❑ Programmable fade times of 0 to 9 minutes 59 seconds per preset
- ❑ 8 & 16 Pushbutton SWC Panels for remote preset selection
- ❑ LCD Display Station for customized preset “names” and access to all presets
- ❑ “Snapshot” record of dimmer output to create back-up presets
- ❑ SWC A/V interface for preset selection from remote contact closures
- ❑ SWC Programmer provides “rigging and focusing” control without needing an external control console
- ❑ Highest Takes Precedence operation with other dimmer control inputs
- ❑ System wide control capability – up to 32 dimmer cabinets connected to the same control network
- ❑ Circuit I.D.'s simplifying control access
- ❑ Automatic Lockout of SWC from remote console option with CD80SV and SLD



Hand held control for rigging, focusing and programming.

Typical applications include:

Back-up lighting scenes, house lighting control, basic preset architectural control. Conference and concert lighting in multipurpose facilities or for television and video studios. The SWC Programmer can also be used as an independent focus control. The SWC A/V interface is ideal for Theme Park, Experience Centers, Museums or Meeting spaces for interfacing with Building Management or Show Control Systems.





A Guide to System Wide Control

System Wide Control is a communications link supported by the latest digital dimming products from Strand Lighting including DE90™ and Supervisor dimmer CD80SV™.

System Wide Control (SWC) allows remote 8 and 16 pushbutton SWC Panels, an LCD Display Station, an SWC Audio Visual (A/V) Interface and an SWC Hand-Held Programmer to recall and program up to 99 lighting scenes (also referred to as cues or presets) stored within the dimmer electronics. SWC can therefore be used as a sophisticated lighting control system in its own right, or the SWC presets can be used as back-up scenes, independent of any other remote control system connected to the dimmers.

In addition, the SWC Programmer provides dimmer set-up functions, preset fade time programming and many dimmer control facilities useful during a performance set-up.

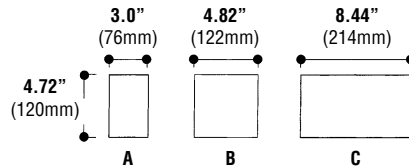
8 and 16 Pushbutton SWC Panels enable a range of presets to be selected, each preset fading at its pre-programmed rate. The current dimmer output can be recorded as an SWC preset from the panels.

An LCD Display Station provides custom preset labels complete with menu options for recording, setting fade times and editing the labels. A display scroll facility allows all 99 presets to be accessed from this station.

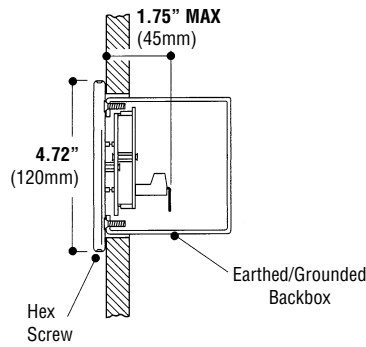
An SWC A/V Interface provides a means of selecting (and recording) up to 16 SWC presets from remote momentary contact closures. This allows integration with A/V or building management control systems, or use with custom control panels.

Up to 32 dimmer cabinets can be connected to a single SWC network giving true "system wide" control of presets or individual dimmer circuits.

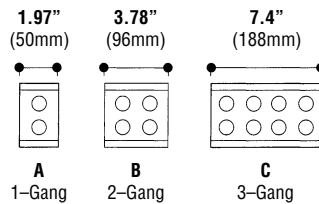
Faceplate Sizes



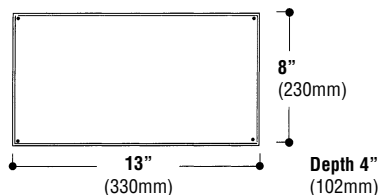
Faceplate Side Detail



Back Box Sizes



Supplementary Power Supply Unit (Cat. No. 66100)



Ordering Information

Cat. No.	Description – Control Stations	Faceplate/Back box
62951	SWC 8 Preset Panel	A
62952	SWC 16 Preset Panel	B
63030	SWC Display Station	D
62953	SWC A/V Interface (excludes back box or custom enclosure)	–
76102	SWC Hand Held Programmer	–
62520	SWC Style Receptacle Station	A
66071	Remote Cable Extension (XLR6 10 meter – 33 ft.)	–
66072	Remote Cable Extension (XLR6 25 meter – 82 ft.)	–
66100	Power Supply with Enclosure for SWC and Outlook	–

Note: Back boxes are subject to regional supply variations. Dimensions given are for guidance only and refer to Racco 690/960 series. Refer to your local Strand Representative for further details.

- Panels supplied with back box to order only.
- Bronze tinted Plexiglass locking covers are available to order for all SWC Stations.

Strand Lighting Inc

6603 Darin Way, Cypress, CA 90630, USA
Tel: +1 714 230 8200 Fax +1 714 230 8173

Strand Lighting (Canada)

Inc/Eclairages Strand (Canada) Inc

2430 Lucknow Drive No 15
Mississauga Ontario L5S 1V3 Canada
Tel: +1 905 677 7130 Fax: +1 905 677 6859



The Company reserves the right to make any variation in design or construction to the equipment described.
© Strand Lighting Ltd. 2002

Strand™, Strand Lighting™, Strand Quartzcolor™ are trademarks of Strand Lighting Limited and Strand Lighting Inc.