

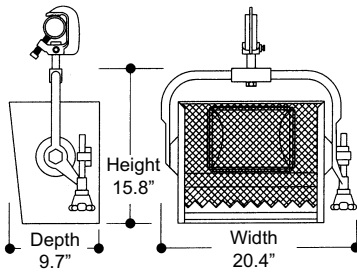


IRIS Pole Operation 1000W, 1500W

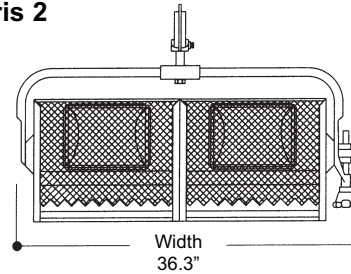
- ❑ Top-mounting cyclorama lighting range
- ❑ Suitable for TV studio motion picture sound stages and theatrical cycloramas up to 23' high
- ❑ Exceptionally even high intensity beam distribution
- ❑ Wide range of versions including split yoke for Iris 2 and Iris 4
- ❑ Black finish to blend with studio roof
- ❑ Supplied with wire guard, color frame, mounting yoke and power cable



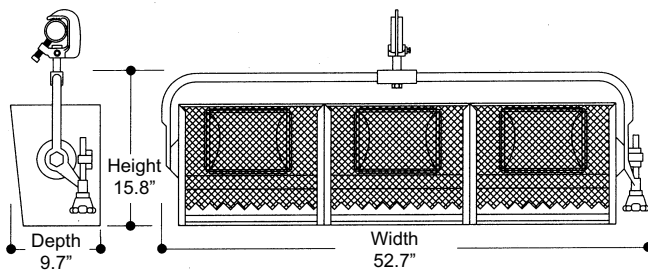
Iris 1



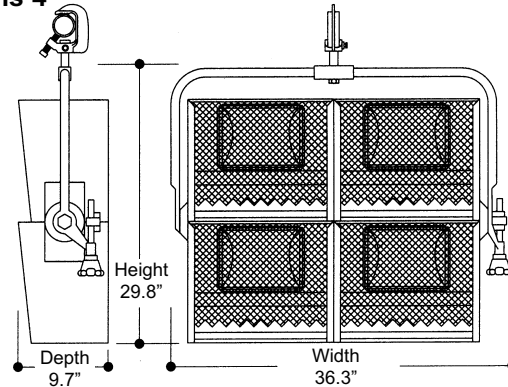
Iris 2



Iris 3



Iris 4



Weights & Dimensions

	Iris 1	Iris 2 (Horizontal)	Iris 2 (Vertical)	Iris 3	Iris 4
Weight	18 ³ / ₄ lb	34 lb	34 lb	49 ¹ / ₂ lb	62 ³ / ₄ lb
Depth	9 ³ / ₄ "	9 ³ / ₄ "	9 ³ / ₄ "	9 ³ / ₄ "	9 ³ / ₄ "
Width	20 ¹ / ₄ "	36 ¹ / ₄ "	20 ¹ / ₄ "	52 ³ / ₄ "	36 ¹ / ₄ "
Height	15 ³ / ₄ "	15 ³ / ₄ "	30"	15 ³ / ₄ "	30"
Color frame size	16" x 12 ¹ / ₄ " (with safety mesh)				



Environmental Data

Max operating ambient temperature

110°F

IP rating

IP20

Electrical & mechanical data

Supply voltage

120/220V 50/60Hz

Max lamp per compartment

1500W

Lamp type/base

189mm linear lamp R7s

Power cable

Individual compartments fitted with 3' cable.

Iris 4 can be supplied to special order with 9-pin connector for 4-circuit operation.

Standards compliance

EN60 598 2-17

Construction

Formed sheet steel assembled with machine threaded screws and rivets for high strength and light weight. Black powder coated epoxy paint finish

reflector: asymmetric multi-curve reflectors of high reflectivity textured aluminum for smooth cyclorama illumination.

Mounting/suspension

Tubular steel yoke assembly fitted with 29mm spigot BS or DIN specification.

Operational data

Lamp access

Through front of open face of fixture after color frame and wireguard removed.

Tilt adjustment

Tilt angle is set by heat insulated lock handle or PO cup.

Ordering information

Iris 1

Single compartment cyc light in manual or pole operated (tilt only) versions, supplied with tubular steel yoke with C-clamp, color frame, safety mesh and 3' power cable.

Iris 2

Double compartment cyc light in vertical or horizontal arrangement with pole operation of tilt. Supplied with 3' power cable for each compartment. The split yoke versions of Iris 2 and 4 enable the two compartments to be set at different angles.

Iris 3/4

Three/four compartment horizontal cyc light with pole operation of tilt and 3' power cable for each compartment.

Cat No Description

26071	Iris 1 manually operated
26081	Iris 1 pole op cyclight
26171	Iris 2 cyclight
26111	Iris 2 pole op
26101	Iris 2 split yoke pole op
26181	Iris 3 cyclight
26131	Iris 3 pole op
26191	Iris 4 cyclight
26151	Iris 4 pole op
26141	Iris 4 split yoke pole op

Optional accessories

28011	Additional color frame
28012	Additional wire mesh guard
82003	Safety cable 18"

Lamps

FDB	1500 Watts
FFT	1000 Watts

Photometric data

Iris cyclorama lights are designed to evenly illuminate cycloramas up to 23' high with maximum illumination at performer head height of 6'. They rely on the overlap of light from adjacent units which should be installed on 8' centres and tilted down 20° from vertical.

FFT 1000-Watt lamp

Cyclorama height (ft)	21	18	15
Distance from cyc (feet)	10	8	6 1/2
FC level at 6' high	134	171	199

Strand Lighting Inc

6603 Darin Way, Cypress, CA 90630, USA
Tel: +1 714 230 8200 Fax +1 714 230 8173

Strand Lighting (Canada)

Inc/Eclairages Strand (Canada) Inc

2430 Lucknow Drive No 15
Mississauga Ontario L5S 1V3 Canada
Tel: +1 905 677 7130 Fax: +1 905 677 6859



The Company reserves the right to make any variation in design or construction to the equipment described.
© Strand Lighting Ltd. 2002
Strand™, Strand Lighting™, Strand Quartzcolor™ are trademarks of Strand Lighting Limited and Strand Lighting Inc.